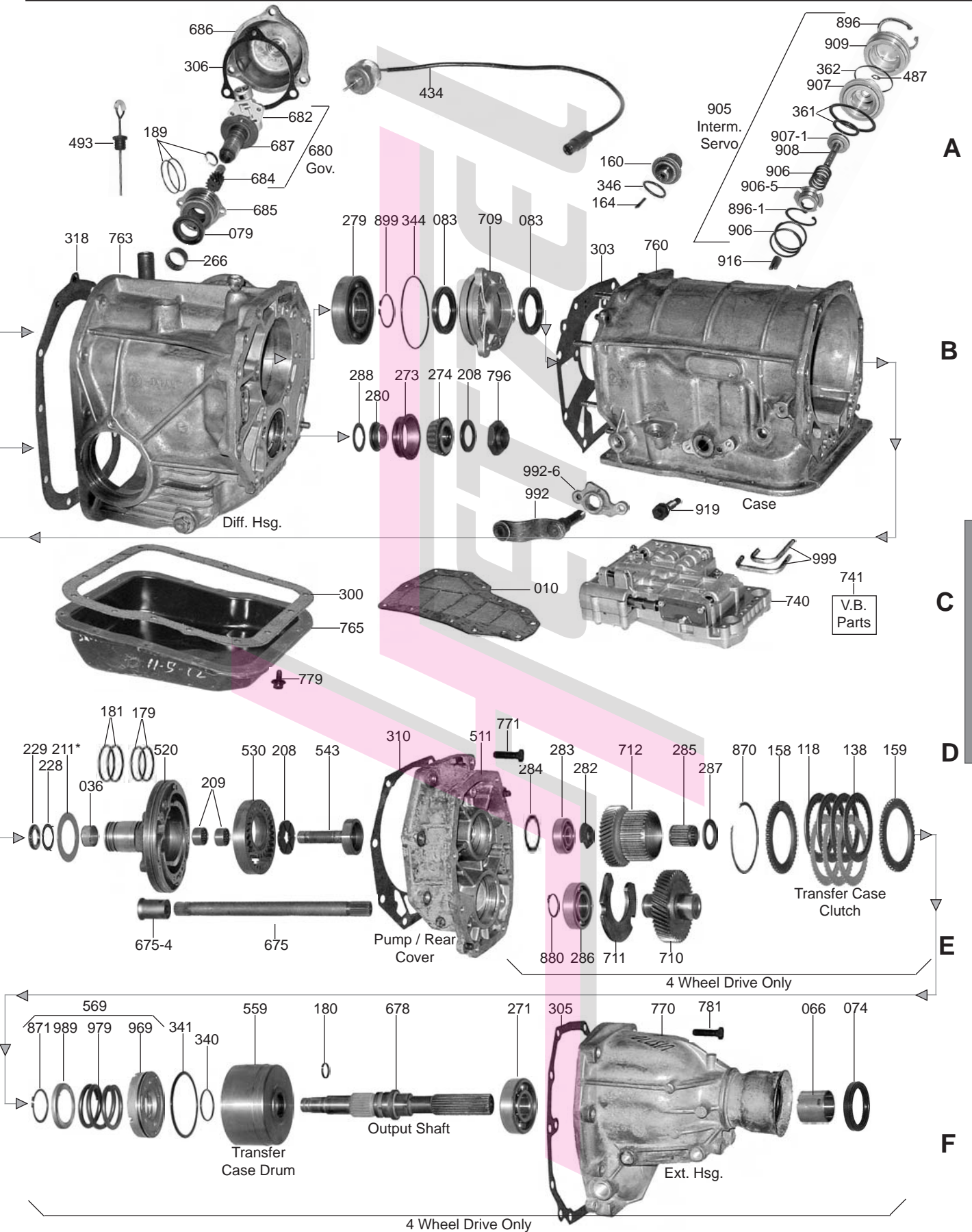


SUBARU



SUBARU

M41 / M41A

FWD 3 Speed 2WD / AWD

PART #	PAPER & RUBBER KIT	QTY.	REFERENCE #
13000.....	Paper & Rubber Kit, M41 1975-Up	1	
PART #	OVERHAUL KITS	QTY.	REFERENCE #
13002.....	Overhaul Kit, M41 1975-Up.....	1	
13002A	Overhaul Kit, M41 1983-Up.....	1	
PART #	MASTER L/STEEL KIT	QTY.	REFERENCE #
13004.....	Master L/Steels Kit, M41 Without Transfer CAse Plates 1975-82.....	1	
13004A	Master L/Steels Kit, M41 With Transfer Case Plates 1975-83	1	
13004AB.....	Master L/Steels Kit, M41 Without Transfer Case Plates 1983-84	1	
13004AC.....	Master L/Steels Kit, M41 With Transfer Case Plates 1983-84	1	
13004B	Master L/Steels Kit, M41 Without Transfer Case Plates 1985-Up	1	
13004C	Master L/Steels Kit, M41 With Transfer Case Plates 1985-Up	1	
PART #	MASTER W/STEEL KIT	QTY.	REFERENCE #
13006.....	Master W/Steels Kit, M41 Without Transfer Case Plates 1975-82.....	1	
13006A	Master W/Steels Kit, M41 With Transfer Case Plates 1975-82.....	1	
13006AB.....	Master W/Steels Kit, M41 Without Transfer Case Plates 1983-84.....	1	
13006AC.....	Master W/Steels Kit, M41 With Transfer Case Plates 1983-84.....	1	
13006B	Master W/Steels Kit, M41 Without Transfer Case Plates 1985-Up	1	
13006C	Master W/Steels Kit, M41 With Transfer Case Plates 1985-Up	1	
PART #	FILTER	QTY.	REFERENCE #
53010.....	Filter, M41 1975-92	1	
PART #	FILTER KIT	QTY.	REFERENCE #
13011.....	Filter Kit, M41 1975-82	1	
13011A.....	Filter Kit, M41 1983-89.....	1	
13011B	Filter Kit, M41 1990-Up	1	
PART #	BANDS	QTY.	REFERENCE #
13022.....	Band, M41 Intermediate.....	1	
PART #	BUSHINGS	QTY.	REFERENCE #
13030.....	Bushing Kit, M41	1	
PART #	METAL CLAD SEALS	QTY.	REFERENCE #
13070.....	Seal, M41 Front.....	1	
13071BA.....	Seal, M41 Stator Tube (1 7/8"OD)	1	80762-8030
13071BB.....	Seal, M41 Stator Tube (1 3/4"OD)	1	
13072.....	Seal, M41 Linkage	1	3789137
13073.....	Seal, M41 4x4 Transfer Drive Shaft To Case	1	80672-1020
13074.....	Seal, M41 Rear (Extension Housing) 4x4 (35x50x11mm) 1975-Up	1	80673-2020
13075.....	Seal, M41 Differential Case (42x64x12mm) 1975-79	1	80674-2130
13075A.....	Seal, M41 Differential Case 1979-Up.....	1	
13076.....	Seal, M41 Right Axle (1 3/4"OD Of Differential Output Shaft) 1975-92	1	
13076A	Seal, M41 Right Axle (2"OD Of Differential Output Shaft) (4x4 With Turbo) 1975-93.....	1	
13077.....	Seal, M41 Left Axle (1 3/4"OD) 1975-92	1	
13077A	Seal, M41 Left Axle (4x4 With Turbo) 1975-92	1	
13078.....	Seal, Speed-O Shaft (10x18x7mm) 1975-Up	1	80671-2030
13079.....	Seal, M41 Governor To Case.....	1	
13083.....	Seal, M41 Reduction Drive Gear (2.280"OD) (1.570"ID) (Presses Into # 709).....	2	80674-0030
PART #	FRICTION CLUTCH	QTY.	REFERENCE #
53100.....	Friction, M41 Forward & Direct Clutch (.063").....	6-7	0338-19-500A
13108.....	Friction, M41 Forward & Direct Clutch (.063") (Use 53100).....	6-7	0338-19-500A

SUBARU

13114.....	Friction, M41 Low/Reverse Clutch (.092"Thick)(51 Teeth) 1975-82.....	3-4.....	340798710
13114A.....	Friction, M41 Low/Reverse Clutch (.098"Thick)(45 Teeth) 1983-84.....	3-4.....	340798720
13114B.....	Friction, M41 Low/Reverse Clutch (.095"Thick)(Smooth) 1985-Up.....	5.....	31662AA010
13118.....	Friction, M41 Transfer Clutch (.114").....	3-4.....	31588AA041

PART #	STEEL CLUTCH	QTY.	REFERENCE #
53120.....	Steel, M41 Forward & Direct Clutch (.079").....	6-7.....	45361-0100
13128.....	Steel, M41 Forward & Direct Clutch (.079") (Use 53120).....	6-7.....	45361-0100
13134.....	Steel, M41 Low/Reverse Clutch (.071").....	4-7.....	34425-8700
13134A.....	Steel, M41 Low/Reverse Clutch (.071") 1983-84.....	4-5.....	34425-8710
13134B.....	Steel, M41 Low/Reverse Clutch (.091").....	5.....	31666AA010
13138.....	Steel, M41 Transfer Clutch (.071").....	2-3.....	31589AA000

PART #	CLUTCH PRESSURE PLATES	QTY.	REFERENCE #
53140A.....	Pressure Plate, M41 Forward & Direct (.190").....	1.....	
53140B.....	Pressure Plate, M41 Forward & Direct (.197").....	1.....	
53140C.....	Pressure Plate, M41 Forward & Direct (.205").....	1.....	
53140D.....	Pressure Plate, M41 Forward & Direct (.213").....	1.....	
53140E.....	Pressure Plate, M41 Forward & Direct (.220").....	1.....	
53140G.....	Pressure Plate, M41 Forward & Direct (.236").....	1.....	
53140H.....	Pressure Plate, M41 Forward & Direct (.244").....	1.....	
53140J.....	Pressure Plate, M41 Forward & Direct (.265").....	1.....	
53140L.....	Pressure Plate, M41 Forward & Direct (.295").....	1.....	
13148.....	Pressure Plate, M41 Forward & Direct Clutch (Use 53140A thru H).....	1.....	
13154.....	Pressure Plate, M41 Low/Reverse Clutch (.307").....	1.....	
13154A.....	Pressure Plate, M41 Low/Reverse Clutch (.315").....	1.....	
13154B.....	Pressure Plate, M41 Low/Reverse Clutch (.323").....	1.....	
13154C.....	Pressure Plate, M41 Low/Reverse Clutch (.331").....	1.....	
13154D.....	Pressure Plate, M41 Low/Reverse Clutch (.339").....	1.....	
13154E.....	Pressure Plate, M41 Low/Reverse Clutch (.346").....	1.....	
13154G.....	Pressure Plate, M41 Low/Reverse Clutch (.354").....	1.....	
13154H.....	Pressure Plate, M41 Low/Reverse Clutch (.362").....	1.....	
13154HA.....	Pressure Plate, M41 Low/Reverse Clutch (.370").....	1.....	
13154J.....	Pressure Plate, M41 Low/Reverse Clutch (.378").....	1.....	
13158.....	Pressure Plate, M41 Transfer Clutch (Top) (.185").....	1.....	447677000
13158A.....	Pressure Plate, M41 Transfer Clutch (Top) (.197").....	1.....	447677001
13158B.....	Pressure Plate, M41 Transfer Clutch (Top) (.209").....	1.....	447677002
13158C.....	Pressure Plate, M41 Transfer Clutch (Top) (.220").....	1.....	447677003
13158D.....	Pressure Plate, M41 Transfer Clutch (Top) (.232").....	1.....	447677004
13159.....	Pressure Plate, M41 Transfer Clutch (Bottom).....	1.....	

PART #	MODULATORS	QTY	REFERENCE #
13160.....	Modulator, M41 Screw In (.840" Diaphragm) Turbo.....	1.....	
13160A.....	Modulator, M41 Screw In (.910" Diaphragm) Non-Turbo.....	1.....	

PART #	OIL SEALING RINGS	QTY.	REFERENCE #
13175.....	Ring Kit, M41 1975-Up.....	1.....	
53179.....	Ring, M41 Direct Drum (1.732"OD) (Metal).....	2.....	
53179T.....	Ring, M41 Direct Drum (1.732"OD) (Teflon).....	2.....	
13180.....	Ring, M41 Transfer Case Output Shaft (Metal) (Use 157177).....	1.....	
157177.....	Ring, M41 Transfer Case Output Shaft (Metal).....	1.....	
53181.....	Ring, Forward Drum (1.692"OD) (Metal).....	2.....	
53181T.....	Ring, Forward Drum (1.692"OD) (Teflon).....	2.....	
13189T.....	Ring, Governor (Teflon).....	3.....	
53189T.....	Ring, M41 Governor Support (Teflon).....	2.....	

PART #	WASHERS & BEARINGS	QTY.	REFERENCE #
13208.....	Washer, M41 Under Pinion Nut.....	1.....	
53211.....	Washer, M41 Direct Drum (1.50mm) (.059").....	1.....	D37Z-7D014-F
53211A.....	Washer, M41 Direct Drum (1.50mm) (.067").....	1.....	
53211B.....	Washer, M41 Direct Drum (1.90mm) (.075").....	1.....	
53211C.....	Washer, M41 Direct Drum (2.10mm) (.083").....	1.....	
53211D.....	Washer, M41 Direct Drum (2.30mm) (.091").....	1.....	
53211E.....	Washer, M41 Direct Drum (2.50mm) (.098").....	1.....	
53211G.....	Washer, M41 Direct Drum (2.70mm) (.106").....	1.....	31528-X0104

PART #	WASHERS & BEARINGS (Continued)	QTY.	REFERENCE #
13228.....	Race, M41 Forward Drum To Stator (3 Tab) 1975-83	2	
13229.....	Bearing W/Race, M41 Forward Drum To Stator 1975-83	2	
13229A.....	Bearing W/Race, M41 Forward Drum To Stator (1 Piece) 1984-Up	2	
13234.....	Race, M41 Forward Hub To Shell (Rear)	1	
13235.....	Bearing, M41 Hub To Shell	1	
13236.....	Race, M41 Hub To Shell (Front).....	1	
13241.....	Bearing, M41 Forward Sun Gear To Reverse Sun Gear (For 30 and 31 Teeth Forward Sun Gear)	1	
13241A.....	Bearing, M41 Forward Sun Gear To Reverse Sun Gear (For 28 Teeth Forward Sun Gear).....	1	
13242.....	Race, M41 Forward Sun Gear To Reverse Sun Gear (For 30 and 31 Teeth Forward Sun Gear).....	1	
13242A.....	Race, M41 Forward Sun Gear To Reverse Sun Gear (For 28 Teeth Forward Sun Gear).....	1	
13246.....	Race, M41 Planet (Inner) 1984-Up	1	
13251.....	Bearing W/Race, M41 Planet (Outer)	1	
13265.....	Washer, M41 Governor To Cover.....	1	
13271.....	Ball Bearing, M41 Rear Transfer Output Shaft.....	1	
13274.....	Ball Bearing, M41 Pin Shaft	1	
13274B.....	Ball Bearing, M41 Pin Shaft	1	
13277.....	Shim, M41 Under Pinion Bearing.....	1	
13279.....	Ball Bearing, M41 Reduction Drive	1	
13280.....	Collar, M41 Reduction Driven Gear To Ball Bearing	1	
13282.....	Washer, M41 Driven Transfer Gear To Ball Bearing	1	
13283.....	Ball Bearing, M41 Driven Transfer	1	
13284.....	Shim, M41 Pump Cover To Ball Bearing.....	1	
13285.....	Caged Needle Bearing, M41 Output Shaft To Driven Transfer Gear	1	
13286.....	Ball Bearing, M41 Front Transfer Drive Gear.....	1	
13287.....	Washer, M41 Transfer Clutch Drum To Driven Transfer Gear.....	1	
13288.....	Shim, M41 Reduction Drive Gear To Collar	1	

PART #	GASKETS	QTY.	REFERENCE #
13300.....	Gasket, M41 Bottom Pan 1975-82.....	1	34539-3600
13300A.....	Gasket, M41 Bottom Pan 1983-89.....	1	44539-7000
13300B.....	Gasket, M41 Bottom Pan 1990-Up	1	31397-AA050
13303A.....	Gasket, M41 Differential To Case 1975-82	1	
13303B.....	Gasket, M41 Differential To Case 1983-Up.....	1	
13310A.....	Gasket, M41 Pump To Case 1975-82	1	
13310B.....	Gasket, M41 Pump To Case 1983-Up	1	
13318A.....	Gasket, M41 Differential To Bell Housing 1975-82.....	1	
13318B.....	Gasket, M41 Differential To Bell Housing 1983-Up.....	1	

PART #	TECHNICAL MANUALS	QTY.	REFERENCE #
13400.....	Technical Manual, M41 3 Speed Subaru	1	83-SUBA3TM

PART #	ELECTRICAL COMPONENTS	QTY.	REFERENCE #
13433.....	Solenoid, M41 Transfer Clutch.....	1	
13434.....	Solenoid, M41 Kickdown.....	1	
13437.....	Switch, M41 Temperature (Transfer Case)	1	

PART #	HARD PARTS	QTY.	REFERENCE #
13511.....	Rear Cover, M41 2WD (6 Bolt) 1975-82	1	
13511A.....	Rear Cover, M41 2WD (8 Bolt) 2 Hole Mount 1983-84.....	1	
13511B.....	Rear Cover, M41 2WD (8 Bolt) 3 Hole Mount 1985-Up	1	
13511C.....	Rear Cover, M41 4x4	1	
13520.....	Stator W/Gears, M41 1975-82	1	
13520A.....	Stator W/Gears, M41 (Takes A 3 Tab Race #228) 1983	1	
13520B.....	Stator W/Gears, M41 (Takes A 1 Piece Bearing #229) 1984-Up	1	
13529A.....	Converter Reactor, M41 (4 1/2" long)	1	
13529B.....	Converter Reactor, M41 (5 3/16" Long) (1 7/8"ID Where The Rear Seal Presses In)	1	
13529BA.....	Converter Reactor, M41 (5 3/16" Long) (1 3/4"ID Where The Rear Seal Presses In)	1	
13529C.....	Converter Reactor, M41 (4 3/8" Long) (1 7/8"OD Of Rear Seal).....	1	
13529D.....	Converter Reactor, M41 (4 3/4" Long)	1	
13554.....	Drum, M41 Forward (Overall Height 3 5/16").....	1	
13554B.....	Drum, M41 Forward (Overall Height 3 1/16").....	1	
13554BA.....	Drum, M41 Forward (Overall Height 3 1/16") Uses 1 Piece Bearing #229	1	

13555.....	Drum M41 Direct Clutch (3 Clutch)	1
53555A	Drum, M41 Direct Clutch (4 Clutch)	1
13559A	Drum, M41 Transfer Clutch	1
13564.....	Piston Kit, M41 Forward Clutch.....	1
13565.....	Piston Kit, M41 Direct Clutch	1
13567.....	Piston Kit, M41 Low/Reverse Clutch.....	1
13569.....	Piston Kit, M41 Transfer Clutch.....	1
13574.....	Clutch Hub, M41 Forward Clutch 1975-84.....	1
13574B	Clutch Hub, M41 Forward Clutch 1985-Up	1
13584AK.....	Planet W/Sprag, M41(30 Teeth Forward Sun Gear) Aluminum Housing	1
13584BAK	Planet W/Sprag, M41 (30 Teeth Forward Sun Gear) 4 5/16"OD Hub (Cast Iron Housing).....	1
13584BK.....	Planet W/Sprag, M41 (30 Teeth Forward Sun Gear) 4 1/8"OD Hub (Cast Iron Housing).....	1
13584CK.....	Planet W/Sprag, M41 (31 Teeth Forward Sun Gear) Cast Iron Housing	1
13584EK.....	Planet W/Sprag, M41 (28 Teeth Forward Sun Gear) 4 5/8"OD Hub (Cast Iron Housing)	1
.....	The 6 Pinions Are All The Same Size	1
13584GK	Planet W/Sprag, M41 (28 Teeth Forward Sun Gear) 4 5/16"OD Hub (Cast Iron Housing).....	1
13584HK.....	Planet W/Sprag, M41 (28 Teeth Forward Sun Gear) 4 5/8"OD Hub (Cast Iron Housing)	1
.....	The Pinion Pins Have 3 Small And 3 Large Pins	1
13594.....	Ring Gear, M41 Planet (79 Teeth).....	1
13594B	Ring Gear, M41 Planet (78 Teeth).....	1
13594C.....	Ring Gear, M41 Planet (73 Teeth).....	1
13612A.....	Sun Gear, M41 Forward (30 Teeth).....	1
13612AB.....	Sun Gear, M41 Forward (30 Teeth) .645" Thick Gears	1
13612B.....	Sun Gear, M41 Forward (31 Teeth).....	1
13612C.....	Sun Gear, M41 Forward (28 Teeth) .850" Thick Gears	1
13612D.....	Sun Gear, M41 Forward (28 Teeth) .746" Thick Gears (No Groove)	1
13612DA.....	Sun Gear, M41 Forward (28 Teeth) .746" Thick Gears (1 Groove).....	1
13614A.....	Sun Gear, M41 Reverse (Rear) 36 Teeth.....	1
13614B	Sun Gear, M41 Reverse (Rear) 35 Teeth (1.925"OD Gear) 3.050" Long	1
13614C.....	Sun Gear, M41 Reverse (Rear) 35 Teeth (1.925"OD Gear) 3.150" Long	1
13614D.....	Sun Gear, M41 Reverse (Rear) 35 Teeth (2.000"OD Gear) 3 1/8" Long	1
13622.....	Shell, M41 Connecting 1975-84.....	1
13622A.....	Shell, M41 Connecting 1985-Up	1
13630.....	Center Support, M41 (2 1/8"OD Of Sprag Race)	1
13630C.....	Center Support, M41 (2 1/4"OD Of Sprag Race).....	1

PART #	SPRAGS & ONE WAY CLUTCHES	QTY.	REFERENCE #
--------	---------------------------	------	-------------

13652.....	Sprag, M41 1975-84	1
13652B	Sprag, M41 1985-Up.....	1

PART #	HARD PARTS (Continued)	QTY.	REFERENCE #
--------	------------------------	------	-------------

13671A.....	Pump Shaft, M41 (21 3/4" Long).....	1
13671B	Pump Shaft, M41 (22 1/4" Long) No Check Ball Inside	1
13671C.....	Pump Shaft, M41 (22 1/4" Long) With Check Ball Inside.....	1
13673A.....	Turbine Shaft, M41 (20 1/2" Long)	1
13673B.....	Turbine Shaft, M41 (20 15/16" Long) With 3 Lube Holes.....	1
13673C.....	Turbine Shaft, M41 (20 15/16" Long) With 2 Lube Holes.....	1
13673D.....	Turbine Shaft, M41 (20 15/16" Long)	1
13675.....	Shaft, M41 Transfer Drive	1
13678A.....	Output Shaft, M41 4x4 Rear Output.....	1
13680A.....	Governor, M41 (11 Teeth) 1975-79	1
13680B	Governor, M41 (12 Teeth) 1980-Up	1
13684A.....	Gear, M41 Governor (11 Teeth) 1975-79	1
13684B	Gear, M41 Governor (12 Teeth) Plastic 1980-Up.....	1
13684C.....	Gear, M41 Governor (12 Teeth) Steel With Pin 1980-Up.....	1
13685A.....	Support Sleeve, M41 Governor (1 Ring) Bolts To Differential Case.....	1
13685B.....	Support Sleeve, M41 Governor (No Ring) Bolts To Differential Case	1
13685C.....	Support Sleeve, M41 Governor (2 Ring) Bolts To Differential Case.....	1
13686.....	Cover, M41 Governor (4 Bolt)	1
13686A.....	Cover, M41 Governor (3 Bolt)	1

SUBARU

PART #	HARD PARTS (Continued)	QTY.	REFERENCE #
13707A	Gear, M41 Reduction Drive (33 Teeth Gear) 8 1/2" Long Shaft (Governor Gear Made On The Shaft) Speed-O Gear Slides Off	1	
13707B	Gear, M41 Reduction Drive (34 Teeth Gear) 9" Long Shaft (Governor Gear & Speed-O Gear Are 1 & Made On The Shaft)	1	
13707C	Gear, M41 Reduction Drive (39 Teeth Gear) 9" Long Shaft (Governor Gear & Speed-O Gear Are 1 & Made On The Shaft)	1	
13707E	Gear, M41 Reduction Drive (39 Teeth Gear) 3.622"OD (9" Long Shaft) Governor Gear & Speed-O Gear Are 1 And Made On The Shaft	1	
13707G	Gear, M41 Reduction Drive (39 Teeth Gear) 3.622"OD (9" Long Shaft) Governor Gear Made On The Shaft (Speed-O Gear Slides Off)	1	
13707H	Gear, M41 Reduction Drive (45 Teeth Gear) 9" Long (Governor Gear Made On The Shaft) Speed-O Gear Slides Off	1	
13707HA	Gear, M41 Reduction Drive (45 Teeth Gear) 3.654"OD (9" Long Shaft) Governor Gear & Speed-O Gear Are 1 And Made On The Shaft	1	
13707J	Gear, M41 Reduction Drive (42 Teeth Gear) 3.520"OD (9" Long Shaft) Governor Gear Made On The Shaft (Speed-O Gear Slides Off)	1	
13707L	Gear, M41 Reduction Drive (38 Teeth Gear) 3.544"OD (9" Long Shaft) Governor Gear & Speed-O Gear Are 1 And Made On The Shaft	1	
13707LA	Gear, M41 Reduction Drive (38 Teeth Gear) 3.162"OD (9" Long Shaft) Governor Gear & Speed-O Gear Are 1 And Made On The Shaft	1	
13707LB	Gear, M41 Reduction Drive (38 Teeth Gear) 3.544"OD (9" Long Shaft) Governor Gear Made On The Shaft (Speed-O Gear Slides Off)	1	
13707M	Gear, M41 Reduction Drive (43 Teeth Gear) 9" Long Shaft (Governor Gear Made On The Shaft) (Speed-O Gear Slides Off)	1	
13708A	Gear, M41 Reduction Driven (34 Teeth)	1	
13708B	Gear, M41 Reduction Driven (38 Teeth)	1	
13708C	Gear, M41 Reduction Driven (35 Teeth)	1	
13708D	Gear, M41 Reduction Driven (39 Teeth)	1	
13708E	Gear, M41 Reduction Driven (40 Teeth)	1	
13708G	Gear, M41 Reduction Driven (42 Teeth) (3.464"OD)	1	
13708GA	Gear, M41 Reduction Driven (42 Teeth) (3.518"OD)	1	
13708H	Gear, M41 Reduction Driven (43 Teeth) (3.600"OD)	1	
13708J	Gear, M41 Reduction Driven (33 Teeth)	1	
13709	Retainer, M41 Oil Seal	1	
13710	Gear, M41 Transfer Drive (45 Teeth) (1 Groove)	1	E853116-S
13711	Thrust Plate, M41 Transfer Drive Gear	1	
13712	Gear, M41 Transfer Driven	1	
13715A	Differential Assembly, M41 (33 Teeth) 8 Bolt	1	
13715B	Differential Assembly, M41 (35 Teeth) 8 Bolt	1	
13715C	Differential Assembly, M41 (37 Teeth) 10 Bolt (1.133" Thick Gear)	1	
13715CA	Differential Assembly, M41 (37 Teeth) 10 Bolt (1.200" Thick Gear)	1	
13715D	Differential Assembly, M41 (38 Teeth) 10 Bolt (1.162" Thick Gear)	1	
13715E	Differential Assembly, M41 (87 Teeth) 10 Bolt (1.048" Thick Gear)	1	
13725	Retainer, M41 Differential (Aluminum) Screws In Differential Case	1	
13730A	Pinion Shaft, M41 (8 Teeth) (2.50"OD) 2WD	1	
13730B	Pinion Shaft, M41 (9 Teeth) 2WD	1	
13730C	Pinion Shaft, M41 (10 Teeth) (2.77"OD) 2WD	1	
13730CA	Pinion Shaft, M41 (10 Teeth) (2.50"OD) 2WD	1	
13730CB	Pinion Shaft, M41 (10 Teeth) (2.50"OD) 4x4	1	
13730E	Pinion Shaft, M41 (11 Teeth) (2.90"OD) 2WD	1	
13730EA	Pinion Shaft, M41 (11 Teeth) (2.90"OD) 4x4	1	
13730EB	Pinion Shaft, M41 (11 Teeth) (2.65"OD) 4x4	1	
13730EC	Pinion Shaft, M41 (11 Teeth) (2.65"OD) 2WD	1	
13735	Retainer, M41 Bearing	1	
13740	Valve Body, M41	1	
13750A	Bell Housing, M41 (Starter At 12:00)	1	
13750B	Bell Housing, M41 (Starter At 2:00) 2 Threaded Holes At 12:00	1	
13750C	Bell Housing, M41 (Starter At 2:00) 3 Threaded Holes At 12:01	1	
13760	Case, M41 (6 Bolt Cover) 2WD	1	
13760A	Case, M41 (8 Bolt Cover) 2WD	1	
13760B	Case, M41 (8 Bolt Cover) 4x4	1	
13763	Housing, M41 Differential Case	1	
13763CB	Differential Assembly, M41 (10 Teeth Pinion) (37 Teeth Ring Gear) 4x4 Complete	1	
13763EA	Differential Assembly, M41 (11 Teeth Pinion) (38 Teeth Ring Gear) 4x4 Complete	1	
13765	Pan, M41	1	
13770	Extension Housing, M41 4x4 (8 1/4" Long)	1	
13770A	Extension Housing, M41 4x4 (13" Long)	1	
13775K	Bolt Set, M41 Bell To Differential Case	1	

13776K	Nut Set, M41 Case To Differential Case	1	
13777K	Bolt Set, M41 Pump To Cover To Case	1	
13778K	Bolt Set, M41 Pump To Cover	1	
13779K	Bolt Set, M41 Pan To Case	1	
13781K	Bolt Set, M41 Extension Housing To Pump Cover	1	
13782K	Bolt Set, M41 Valve Body To Case	1	
13796	Nut, M41 Holds Ball Bearing To Pinion Shaft	1	
13847	Gear, M41 Speed-O Drive	1	
53855	Cushion, M41 Forward & Direct Clutch	1	31529-X0100
23857	Dished Steel, M41 Low/Reverse Clutch	1	31668-X0100
13870	Snap Ring, M41 Holds Transfer Clutch Pressure Plate In Drum	1	
13871	Snap Ring, M41 Holds Transfer Clutch Retainer	1	
13876	Snap Ring, M41 Holds Forward & Direct Clutch Pressure Plate In	1	
13877	Snap Ring, M41 Holds Forward Clutch Retainer	1	
13879	Snap Ring, M41 Holds Direct Clutch Retainer	1	
13880	Snap Ring, M41 Holds Ball Bearing On Transfer Drive Gear	1	0003-507-275
13883	Snap Ring, M41 Holds Center Support In Case	1	
13884	Snap Ring, M41 Holds Spring To Center Support	1	
13885	Snap Ring, M41 Holds Low/Reverse Pressure Plate In Case	1	
13896	Snap Ring, M41 Holds Servo Cover In	1	
13898	Snap Ring, M41 Holds Reduction Drive Gear In Differential Case	1	
13899	Snap Ring, M41 holds Ball Bearing To Reduction Drive Shaft	1	
13905	Servo Assembly, M41 Intermediate	1	
13906	Spring, M41 Intermediate Servo Return (Small One)	1	
13907	Piston, M41 Intermediate Servo	1	
13909	Cover, M41 Intermediate Servo	1	
13919	Screw, M41 Intermediate Band Adjusting	1	
13964	Piston, M41 Forward Clutch	1	
13965	Piston, M41 Direct Clutch	1	
13967	Piston, M41 Low/Reverse Clutch	1	
13969	Piston, M41 Transfer Clutch	1	
13974	Spring, M41 Forward Clutch Return	1	
13975	Spring, M41 Direct Clutch Return	1	
13977	Beveled Spring, M41 Low/Reverse Clutch Return	1	
13979	Spring, M41 Transfer Clutch Return	1	
13984	Retainer, M41 Forward Clutch Spring	1	
13985	Retainer, M41 Direct Clutch Spring	1	
13989	Retainer, M41 Transfer Clutch Spring	1	
13991	Linkage, M41 With Park Rod (Internal)	1	
13992	Shift Lever, M41 (External)	1	
13995	Park Pawl Assembly, M41	1	
13999	Tube Set With Adapter, M41 Valve Body To Servo	1	