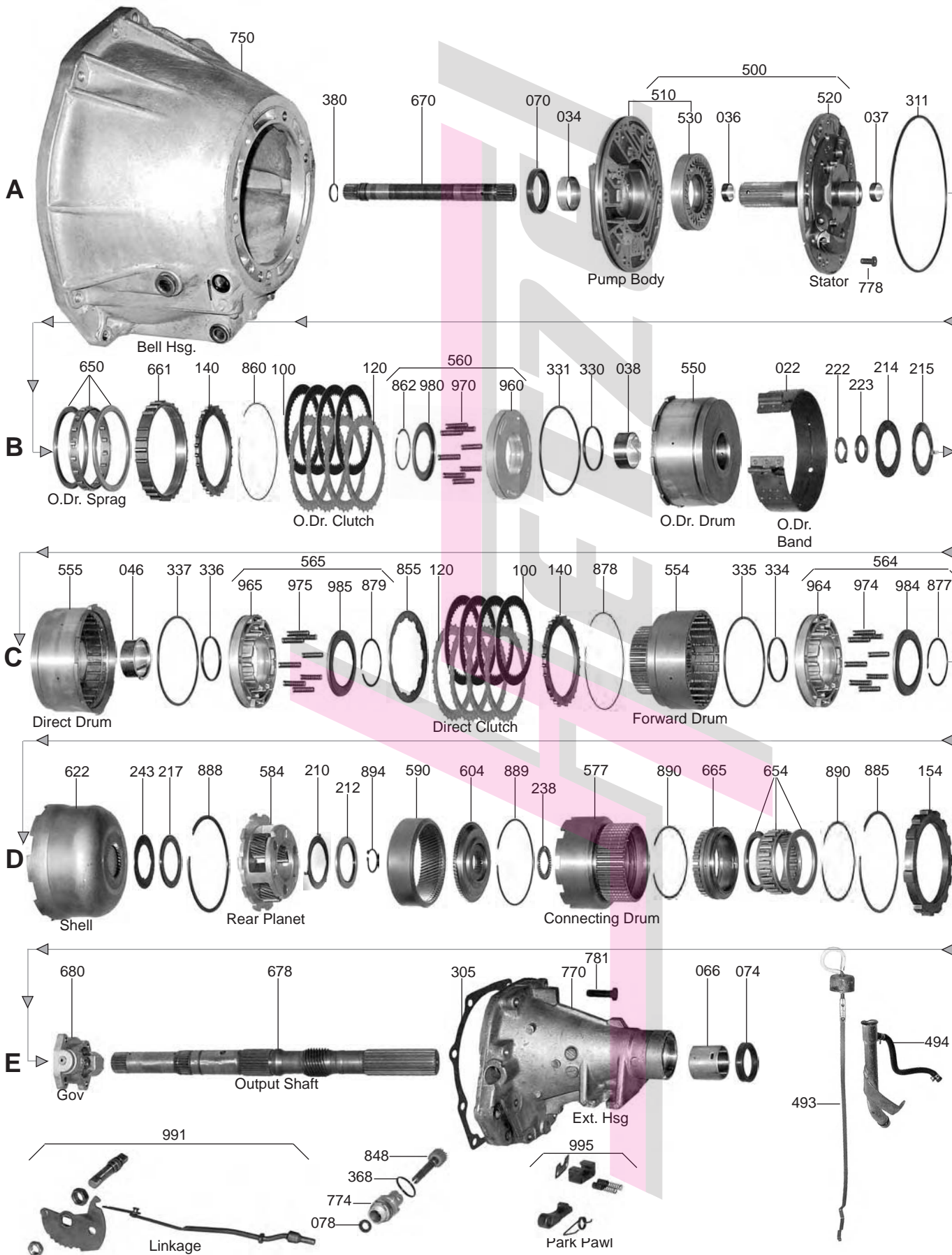


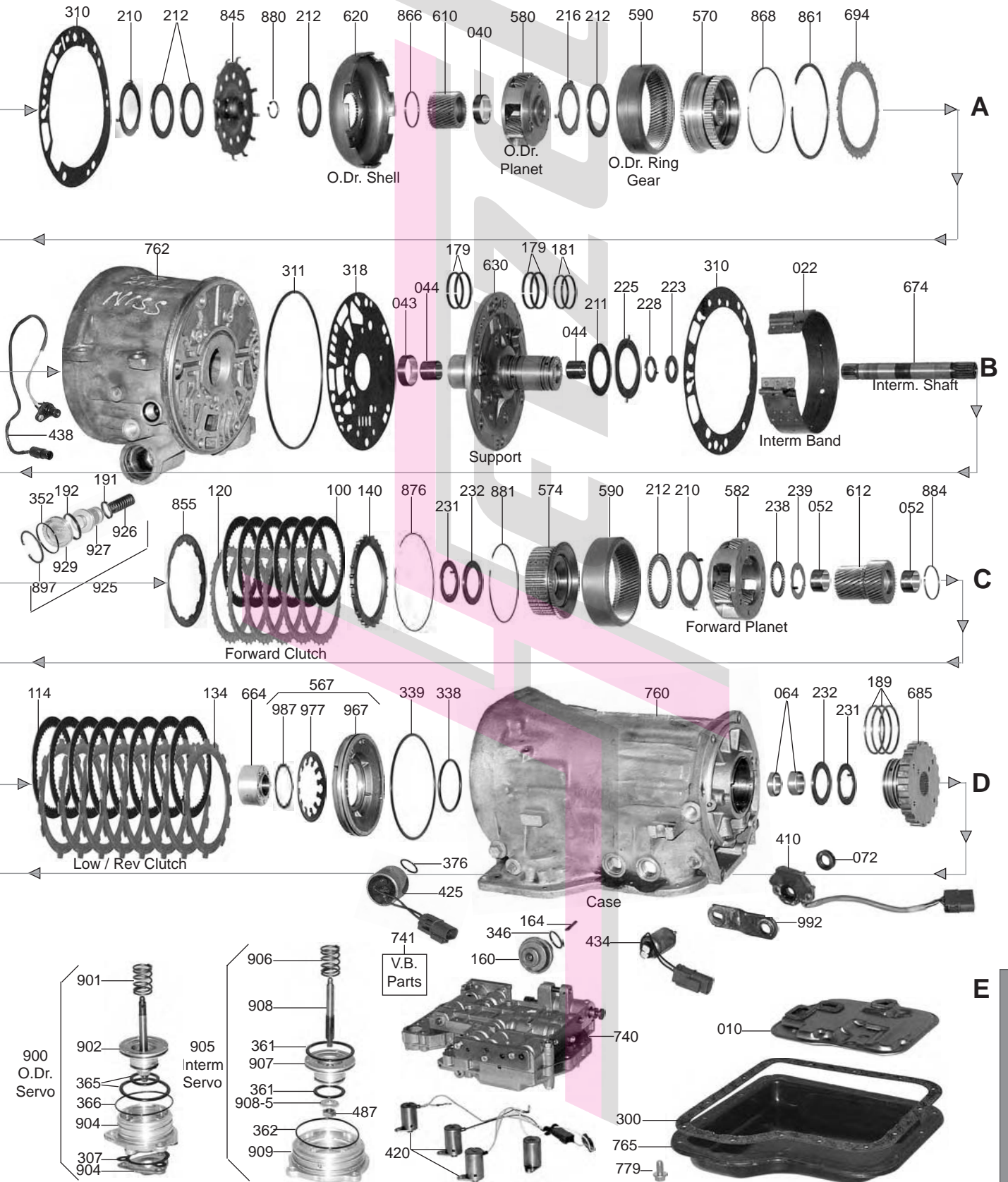
# L3N71B / L4N71B / E4N71B

RWD 3 & 4 Speed



- 000 P&R Kit
- 002 OHK Kit
- 004 Master L/Steels Kit
- 006 Master W/Steels Kit
- 011 Filter Kit
- 119 Friction Module
- 139 Steel Module
- 030 Bushing Kit
- 165 V.B. Kit
- 175 Ring Kit
- 400 Tech Manual





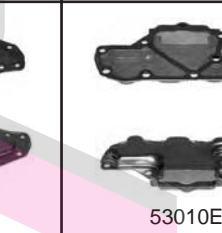
NISSAN



# L3N71B / L4N71B / E4N71B

RWD 3 & 4 Speed

PART #	PAPER & RUBBER KIT	QTY.	REFERENCE #
53000	Paper & Rubber Kit, L3N71B 1971-87	1	
53000B	Paper & Rubber Kit, L4N71B/E4N71B 1983-Up	1	
53000E	Paper & Rubber Kit, N4A-EL (Mazda) 1988-92	1	
PART #	OVERHAUL KITS	QTY.	REFERENCE #
53002	Overhaul Kit, L3N71B 1971-87	1	
53002B	Overhaul Kit, L4N71B/E4N71B 1983-Up	1	
53002E	Overhaul Kit, N4A-EL (Mazda) 1988-92	1	
PART #	MASTER L/STEEL KIT	QTY.	REFERENCE #
53004	Master L/Steels Kit, L3N71B 1971-87	1	
53004B	Master L/Steels Kit, L4N71B/E4N71B 1983-Up	1	
53004E	Master L/Steels Kit, N4A-EL (Mazda) 1988-92	1	
53004EA	Master L/Steels Kit, N4A-EL (Mazda) 1993-Up	1	
PART #	MASTER W/STEEL KIT	QTY.	REFERENCE #
53006	Master W/Steels Kit, L3N71B 1971-87	1	
53006B	Master W/Steels Kit, L4N71B/E4N71B 1983-Up	1	
53006E	Master W/Steels Kit, N4A-EL (Mazda) 1988-92	1	
53006EA	Master W/Steels Kit, N4A-EL (Mazda) 1993-Up	1	
PART #	FILTER	QTY.	REFERENCE #
53010	Filter, L3N71B (Nissan) 1971-87	1	
53010A	Filter, L3N71B (Ford) 1976-82	1	31728-X0F00
53010B	Filter, L4N71B/E4N71B (Nissan) 1983-Up	1	
53010D	Filter, E4N71B / N4A-EL (Mazda, B2600 & 4x) 1989-91	1	
53010E	Filter, E4N71B / N4A-EL (Mazda 929 & Pick-Up) 1988-95	1	

PART #	FILTER KIT	QTY.	REFERENCE #
53011	Filter Kit, L3N71B (Nissan) 1971-87	1	
53011A	Filter Kit, L3N71B (Ford) 1971-87	1	
53011B	Filter Kit, L4N71B / E4N71B (Nissan) 1983-Up	1	
53011D	Filter Kit, E4N71B / N4A-EL (Mazda, B2600 & 4x4) 1989-91	1	
53011E	Filter Kit, E4N71B / N4A-EL (Mazda 929 & Pick-Up) 1988-95	1	
PART #	BANDS	QTY.	REFERENCE #
53022	Band, L3N71B/L4N71B Overdrive & Intermediate (Flex) 1 3/4" Wide	1-2	
53022H	Band, L3N71B/L4N71B Overdrive & Intermediate (Hard Type)	1-2	
PART #	BUSHINGS	QTY.	REFERENCE #
53030	Bushing Kit, L3N71B 1971-87	1	
53030B	Bushing Kit, L4N71B / N4A-EL 1983-Up	1	
53034	Bushing, L3N71B / L4N71B Pump Body	1	48488-7000
53036	Bushing, L3N71B / L4N71B Stator (Front & Rear) (.790" Wide)	2	31353-X010
53036A	Bushing, L4N71B Stator (Center) (.785" Wide With 2 Notches)	1	
53037	Bushing, L4N71B Stator (Front & Rear) (.310" Wide)	1	
53038	Bushing, L4N71B Overdrive Drum	1	
53040	Bushing, L4N71B Overdrive Sun Gear (31 Teeth Type) (1.140"ID)	1	
53040A	Bushing, L4N71B Overdrive Sun Gear (1.220"ID)	1	
53043	Bushing, L4N71B Overdrive Support To Overdrive Ring Gear (Front) Large	1	
53044	Bushing, L4N71B Overdrive Support To Intermediate Shaft (Center & Rear) Small	1-2	

53046.....	Bushing, L3N71B / L4N71B Direct Drum .....	1 .....	31513-X0100
53052.....	Bushing, L3N71B / L4N71B Forward Sun Gear.....	2 .....	31462-X0101
53064.....	Bushing, L3N71B / L4N71B Case (Front) Narrow .....	1-2.....	31375-X010
53064B.....	Bushing, L3N71B / L4N71B Case (Rear) Wide .....	1 .....	31373-X010
53066.....	Bushing, L3N71B Extension Housing (1.375"ID) (1.575" Long) .....	1 .....	
53066A.....	Bushing, L4N71B Extension Housing (1.495"ID) .....	1 .....	
53066B.....	Bushing, N4A-EL Extension Housing (1.375"ID) (2.365" Long).....	1 .....	

PART #	METAL CLAD SEALS	QTY.	REFERENCE #
53070.....	Seal, L3N71B / L4N71B Front.....	1 .....	80674-2110
53074.....	Seal, L3N71B Rear (1.375"ID) Without Flange.....	1 .....	80673-5070
53074A.....	Seal, L3N71B Rear (1.375"ID) With Flange.....	1 .....	
53074B.....	Seal, L4N71B Rear (1.495"ID) Without Flange.....	1 .....	
73074B.....	Seal, N4A-EL Rear (With Boot) 1988-92.....	1 .....	
53074C.....	Seal, L4N71B Rear (1.495"ID) With Flange.....	1 .....	
73074C.....	Seal, L4N71B Adapter Housing 4x4 (Mazda MVP Van).....	1 .....	
53074D.....	Seal, L4N71B Rear (1.430"ID) With Flange.....	1 .....	

PART #	FRICITION CLUTCH	QTY.	REFERENCE #
53100.....	Friction, L3N71B / L4N71B Forward, Direct, & Overdrive Clutch (.063").....	9-14.....	0338-19-500A
53114.....	Friction, L3N71B / L4N71B Low / Reverse Clutch (.075").....	4-8.....	45321-0100
53119B.....	Friction Module, L4N71B 1983-Up.....	1 .....	

PART #	STEEL CLUTCH	QTY.	REFERENCE #
53120.....	Steel, L3N71B / L4N71B Forward, Direct, & Overdrive Clutch (.079") 1971-Up.....	9-14.....	45361-0100
53120A.....	Steel, L3N71B / L4N71B Forward & Direct Clutch (.032") 1971-Up .....	AR.....	
53120E.....	Steel, L3N71B / L4N71B Forward, Direct, & Overdrive Clutch (.059") 1987-89 .....	12-17.....	31536-X5000
53120EA.....	Steel, L4N71B Overdrive Clutch (.098") 1988-92 .....	3 .....	
53134.....	Steel, L3N71B / L4N71B Low / Reverse Clutch (.079") .....	4-7.....	66-X0100
53139B.....	Steel Module, L4N71B 1983-Up .....	1 .....	

PART #	CLUTCH PRESSURE PLATES	QTY.	REFERENCE #
53140A.....	Pressure Plate, L3N71B / L4N71B Forward, Direct, & Overdrive Clutch (.190") .....	1-3.....	
53140B.....	Pressure Plate, L3N71B / L4N71B Forward, Direct, & Overdrive Clutch (.197") .....	1-3.....	
53140C.....	Pressure Plate, L3N71B / L4N71B Forward, Direct, & Overdrive Clutch (.205") .....	1-3.....	
53140D.....	Pressure Plate, L3N71B / L4N71B Forward, Direct, & Overdrive Clutch (.213") .....	1-3.....	
53140E.....	Pressure Plate, L3N71B / L4N71B Forward, Direct, & Overdrive Clutch (.220") .....	1-3.....	
53140G.....	Pressure Plate, L3N71B / L4N71B Forward, Direct, & Overdrive Clutch (.236") .....	1-3.....	
53140H.....	Pressure Plate, L3N71B / L4N71B Forward, Direct, & Overdrive Clutch (.244") .....	1-3.....	
53140J.....	Pressure Plate, L3N71B / L4N71B Forward, Direct, & Overdrive Clutch (.265") .....	1-3.....	
53140L.....	Pressure Plate, L3N71B / L4N71B Forward, Direct, & Overdrive Clutch (.295") .....	1-3.....	
53154.....	Pressure Plate, L3N71B / L4N71B Low / Reverse Clutch (.386").....	1 .....	
53154A.....	Pressure Plate, L3N71B / L4N71B Low / Reverse Clutch (.394").....	1 .....	
53154B.....	Pressure Plate, L3N71B / L4N71B Low / Reverse Clutch (.402").....	1 .....	
53154C.....	Pressure Plate, L3N71B / L4N71B Low / Reverse Clutch (.409").....	1 .....	
53154D.....	Pressure Plate, L3N71B / L4N71B Low / Reverse Clutch (.417").....	1 .....	
53154E.....	Pressure Plate, L3N71B / L4N71B Low / Reverse Clutch (.425").....	1 .....	
53154G.....	Pressure Plate, L3N71B / L4N71B Low / Reverse Clutch (.465").....	1 .....	
53154H.....	Pressure Plate, L3N71B / L4N71B Low / Reverse Clutch (.472").....	1 .....	
53154HA.....	Pressure Plate, L3N71B / L4N71B Low / Reverse Clutch (.480").....	1 .....	
53154J.....	Pressure Plate, L3N71B / L4N71B Low / Reverse Clutch (.488").....	1 .....	
53154K.....	Pressure Plate, L3N71B / L4N71B Low / Reverse Clutch (.496").....	1 .....	
53154L.....	Pressure Plate, L3N71B / L4N71B Low / Reverse Clutch (.504").....	1 .....	

PART #	MODULATORS	QTY.	REFERENCE #
13160.....	Modulators, L3N71B / L4N71B Screw-In (.84" Diaphragm) Turbo.....	1 .....	
13160A.....	Modulators, L3N71B / L4N71B Screw-In (.91" Diaphragm) Non-Turbo .....	1 .....	
53160A.....	Modulator, N4A-EL Push-In (.91" Diaphragm) (Mazda 929 With DOHC) 1988-Up.....	1 .....	
53164.....	Modulator Pin, L3N71B / L4N71B (1.142" Long) .....	1 .....	31932-X0103
53164A.....	Modulator Pin, L3N71B / L4N71B (1.161" Long) .....	1 .....	31932-X0104
53164B.....	Modulator Pin, L3N71B / L4N71B (1.181" Long) .....	1 .....	31932-X0100
53164C.....	Modulator Pin, L3N71B / L4N71B (1.201" Long) .....	1 .....	31932-X0102
53164D.....	Modulator Pin, L3N71B / L4N71B (1.220" Long) .....	1 .....	31932-X0101

# L3N71B / L4N71B / E4N71B

RWD 3 & 4 Speed

PART #	VALVE BODY KITS	QTY.	REFERENCE #
T53165	Shift Kit, N4A-EL / 929 / RX7 1988-90 (Transgo)	1	SK @ N4AEL

PART #	OIL SEALING RINGS	QTY.	REFERENCE #
53175	Ring Kit, L3N71B 1971-Up	1	
53175B	Ring Kit, L4N71B 1983-Up	1	
53175C	Ring Kit, N4A-EL 1988-Up	1	
53179	Ring, L3N71B / L4N71B Direct & Overdrum Drum (1.732"OD) (Metal)	2-4	31361-X0100
53179T	Ring, L3N71B / L4N71B Direct & Overdrum Drum (1.732"OD) (Teflon)	2-4	
53181	Ring, L3N71B / L4N71B Forward Drum (1.692"OD) (Metal)	2	43611-0100
53189	Ring, L3N71B/L4N71B Governor (Metal)	3	

PART #	WASHERS & BEARINGS	QTY.	REFERENCE #
53210	Race, L3N71B / L4N71B Stator (Rear), Front & Rear Planet (3 Tab)	1-3	0338-19-639
53211	Washer, L3N71B / L4N71B Direct Drum (1.50mm) (.059")	1	D372-70014-F
53211A	Washer, L3N71B / L4N71B Direct Drum (1.70mm) (.067")	1	
53211B	Washer, L3N71B / L4N71B Direct Drum (1.90mm) (.075") (Also Fits Overdrive Drum)	1-2	
53211C	Washer, L3N71B / L4N71B Direct Drum (2.10mm) (.083")	1	
53211D	Washer, L3N71B / L4N71B Direct Drum (2.30mm) (.091")	1	
53211E	Washer, L3N71B / L4N71B Direct Drum (2.50mm) (.098")	1	
53211G	Washer, L3N71B / L4N71B Direct Drum (2.70mm) (.106")	1	31528-X0104
53211J	Bearing W/Race, L4N71B Direct Drum (Use 53212)	1	
53212	Bearing W/Race, L3N71B / L4N71B Forward & Rear Planet & Overdrive Planet (Also Fits Direct Drum)	1-4	
53212A	Bearing W/Races, L3N71B / L4N71B Forward & Rear Planet & Overdrive Planet (1 Piece)	1-3	0338-19-623A
53214	Washer, L4N71B Overdrive Drum To Support (Use 53211B)	1	
53215	Race, L4N71B Overdrive Drum To Overdrive Case (1 Tab)	1	
53216	Race, L4N71B Overdrive Planet (3 Tab)	1	
53216A	Race, L4N71B Overdrive Planet (2 Tab)	1	
53217	Bearing W/Race, L3N71B / L4N71B Shell To Rear Planet	1	
53222	Race, L4N71B Overdrive Hub To Support	1	
53223	Bearing, L3N71B / L4N71B Forward Clutch Drum & Overdrive Hub To Support (1.370"OD)	1-2	
53225	Race, L3N71B / L4N71B Direct Drum To Support (2 Tab)	1	
53228A	Race, L3N71B / L4N71B Forward Drum To Support (2 Tab) 1.2mm (.047")	1	
53228AA	Race, L3N71B / L4N71B Forward Drum To Support (3 Tab) 1.2mm (.047")	1	
53228B	Race, L3N71B / L4N71B Forward Drum To Support (2 Tab) 1.4mm (.055")	1	
53228BA	Race, L3N71B / L4N71B Forward Drum To Support (3 Tab) 1.4mm (.055")	1	
53228C	Race, L3N71B / L4N71B Forward Drum To Support (2 Tab) 1.6mm (.063")	1	
53228CA	Race, L3N71B / L4N71B Forward Drum To Support (3 Tab) 1.6mm (.063")	1	
53228D	Race, L3N71B / L4N71B Forward Drum To Support (2 Tab) 1.8mm (.071")	1	
53228DA	Race, L3N71B / L4N71B Forward Drum To Support (3 Tab) 1.8mm (.071")	1	
53228E	Race, L3N71B / L4N71B Forward Drum To Support (2 Tab) 2.0mm (.079")	1	
53228EA	Race, L3N71B / L4N71B Forward Drum To Support (3 Tab) 2.0mm (.079")	1	
53228G	Race, L3N71B / L4N71B Forward Drum To Support (2 Tab) 2.2mm (.087")	1	
53228GA	Race, L3N71B / L4N71B Forward Drum To Support (3 Tab) 2.2mm (.087")	1	
53231	Race, L3N71B / L4N71B Forward Clutch Hub (Front) & Governor Support (Front)	1-2	
53232	Bearing W/Race, L3N71B / L4N71B Forward Drum To Hub (.110" Thick)	1	31438-X0100
53238	Bearing W/Race, L3N71B / L4N71B Forward Planet To Sun Gear & Rear Hub To Support	1-2	
53239	Race, L3N71B / L4N71B Forward Planet To Sun Gear (3 Tab)	1	
53243	Race, L3N71B / L4N71B Shell (33 Teeth On Sun Gear)	1	
53243A	Race, L3N71B / L4N71B Shell (30 Teeth On Sun Gear)	1	

PART #	GASKETS & RUBBER COMPONENTS	QTY.	REFERENCE #
53300	Gasket, L3N71B / L4N71B Bottom Pan (Nissan) Cork	1	31397-X0102
53300F	Gasket, L3N71B / L4N71B Bottom Pan (Nissan) Farpak	1	
53300A	Gasket, L3N71B Bottom Pan (Ford) Cork	1	
53300AF	Gasket, L3N71B Bottom Pan (Ford) Farpak	1	
53305	Gasket, L3N71B / L4N71B Extension Housing	1	31335-X0100
53310	Gasket, L3N71B Front Pump (Non Lock-Up)	1	31366-X0101
53310A	Gasket, L3N71B Front Pump (W/Lock-Up) (Also Fits L4N71B Overdrive Case To Case (Nissan)	1-2	
53310B	Gasket, L4N71B Pump To Overdrive Case	1	
53311	O-Ring, L3N71B / L4N71B Front Pump & Overdrive Case	1-2	31363-X0100
53318	Gasket, L4N71B Overdrive Case To Case (Nissan) (Use 53310A)	1	
53318A	Gasket, L4N71B Overdrive Case To Case (Mazda)	1	
53352K	O-Ring Kit, L3N71B / L4N71B Update Accumulator & Oil Distribution Sleeve Seal Kit	1	

44371A .....O-Ring, L3N71B / L4N71B Filler Tube .....1 .....6264902

PART #	TECHNICAL MANUALS	QTY.	REFERENCE #
53400.....	Technical Manual, L3N71B 3 Speed.....	1.....	83-SUBA3TM
53400B.....	Technical Manual, L4N71B 4 Speed (Nissan).....	1.....	83-L4N71BTM
53400C.....	Technical Manual, N4A-EL 4 Speed (Mazda).....	1.....	MAZDA-N4A-EL

PART #	ELECTRICAL COMPONENTS	QTY.	REFERENCE #
53410.....	Neutral Switch, 3N71B.....	1.....	31918-X0185
53410A.....	Neutral Switch, L4N71B (4 Cylinder).....	1.....	31918X0189
53410B.....	Neutral Switch, L4N71B (200SX V-6 1987-88).....	1.....	31918-X2892
53410BA.....	Neutral Switch, L4N71B (300ZX 1984-86 W/Out Turbo, & 300ZX 1987-89).....	1.....	31918-X2889
53410BB.....	Neutral Switch, L4N71B (Pathfinder & Pickup 1987-89).....	1.....	31918-X2890
53420.....	Solenoid Assembly, N4A-EL.....	1.....	
53425.....	Solenoid, L4N71B Lock-Up.....	1.....	
53425A.....	Solenoid, L4N71B Lock-Up 1984-86 (Pick-Up, 1987 Pathfinder, 2WD Pick-Ups, Vans, 200SX, 300ZX And All 1988-89).....	1.....	31941-P2012
53427A.....	Solenoid, L4N71B Overdrive Cancel 1984-87 Models.....	1.....	31945-X8601
53434.....	Solenoid, L4N71B Downshift 1979-86.....	1.....	31941-X0103
53434A.....	Solenoid, L4N71B Downshift 1987-89.....	1.....	31941-X0106
53436.....	Speed Sensor, L4N71B (Goes In Overdrive Case).....	1.....	

PART #	HARD PARTS	QTY.	REFERENCE #
53510.....	Pump Body, L3N71B 3 Speed (Non Lock-Up).....	1.....	
53510A.....	Pump Body, L3N71B 3 Speed (Lock-Up) (With 2 Small Holes Next To Bell) (No Valves) (With 3 Valve Channels On Face Of Body).....	1.....	
53510B.....	Pump Body, L4N71B (With 1 Small Hole Next To Bell) (With No Lock-Up Valves).....	1.....	
53510BA.....	Pump Body, L4N71B (With 1 Small Hole Next To Bell) (With 2 Lock-Up Valves).....	1.....	
53510C.....	Pump Body, L4N71B (With 2 Small Hole Next To Bell) (With No Lock-Up Valves).....	1.....	
53510D.....	Pump Body, E4N71B Electronic (Cast # 4N Next To Front Seal) 1988-Up.....	1.....	
53510DA.....	Pump Body, E4N71B Electronic (Cast # 4N-E Next To Front Seal) 1988-Up.....	1.....	
53520.....	Stator, L3N71B Non Lock-Up (1 Bushing) (4" Long Shaft).....	1.....	
53520A.....	Stator, L3N71B Lock-Up (3 1/2" Long Shaft).....	1.....	
53520AA.....	Stator, L3N71B Lock-Up (3 11/16" Long Shaft).....	1.....	
53520B.....	Stator, L3N71B Lock-Up (With 2 Small Bleed Holes) 1987-Up.....	1.....	
53520C.....	Stator, L3N71B Non Lock-Up (2 Bushings) (4" Long Shaft).....	1.....	
53520D.....	Stator, L3N71B Lock-Up (4 1/2" Long Shaft).....	1.....	
53520E.....	Stator, L4N71B (With 1 Small Bleed Hole) (4 1/2" Long Shaft) (1.212"OD Pilot).....	1.....	
53520G.....	Stator, L4N71B (With 1 Small Bleed Hole) (4 5/8" Long Shaft) (1.212"OD Pilot).....	1.....	
53520H.....	Stator, L4N71B (With 1 Small Bleed Hole) (4 1/2" Long Shaft) (1.138"OD Pilot).....	1.....	
53520J.....	Stator, L4N71B (With 2 Small Bleed Holes)(4 1/2" Long Shaft) (1.212"OD Pilot) (The Bottom Lock-Up Valve Oil Channel Has No Hole In Gasket Surface).....	1.....	
53520JA.....	Stator, L4N71B (With 2 Small Bleed Holes) (4 5/8" Long Shaft) (1.212"OD Pilot).....	1.....	
53520JB.....	Stator, L4N71B (With 2 Small Bleed Holes) (4 1/2" Long Shaft) (1.212"OD Pilot) The Bottom Lock-Up Valve Oil Channel Has A .235"OD Hole In The Gasket Surface).....	1.....	
53520L.....	Stator, E4N71B Electronic (No Pilot On The Back).....	1.....	
53550A.....	Drum, L4N71B Overdrive (Sprag Type) Washer Type.....	1.....	
53550B.....	Drum, L4N71B Overdrive (Sprag Type) Bearing Type.....	1.....	
53550C.....	Drum, L4N71B Overdrive (4 Clutch) (Without A Sprag Type).....	1.....	
53550CA.....	Drum, L4N71B Overdrive (3 Clutch) (Without A Sprag Type).....	1.....	
53554.....	Drum, L3N71B / L4N71B Forward (Uses 3 & 4 Clutch) (Has 3 Slots & 3 Round Holes Under # 231 Washer).....	1.....	
53554A.....	Drum, L3N71B / L4N71B Forward (Uses 5 & 6 Clutch) (Has 3 Slots Under # 231 Washer).....	1.....	
53555.....	Drum, L3N71B / L4N71B Direct (3 Clutch) (4.572"OD Piston).....	1.....	
53555A.....	Drum, L3N71B / L4N71B Direct (4 Clutch) (4.572"OD Piston).....	1.....	
53555B.....	Drum, L3N71B / L4N71B Direct (4 Clutch) (4.283"OD Piston).....	1.....	
53555C.....	Drum, L4N71B Direct (2 Notches For Bearing Race) 1987-Up.....	1.....	
53560.....	Use 53565A.....	1.....	
53564.....	Use 53565A.....	1.....	
53565.....	Piston Kit, L3N71B / L4N71B Direct Clutch (4.283"OD Piston).....	1.....	
53565A.....	Piston Kit, L3N71B / L4N71B Direct Clutch (4.572"OD Piston) (Also Fits Forward Clutch #564) (Also Fits Overdrive Clutch # 560).....	1.....	
53567.....	Piston Kit, L3N71B / L4N71B Low / Reverse Clutch.....	1.....	

# L3N71B / L4N71B / E4N71B

RWD 3 & 4 Speed

PART #	HARD PARTS (Continued)	QTY.	REFERENCE #
53570	Clutch Hub, L4N71B Overdrive (33 Teeth Sun Gear) (1.260" Pilot)	1	
53570A	Clutch Hub, L4N71B Overdrive (33 Teeth Sun Gear) (1.382" Pilot)	1	
53570B	Clutch Hub, L4N71B Overdrive (33 Teeth Sun Gear) (1.260" Pilot) Sprag Type	1	
53570C	Clutch Hub, L4N71B Overdrive (33 Teeth Sun Gear) (1.382" Pilot) Sprag Type	1	
53570D	Clutch Hub, L4N71B Overdrive (31 Teeth Sun Gear) (1.260" Pilot)	1	
53570E	Clutch Hub, L4N71B Overdrive (31 Teeth Sun Gear) (1.260" Pilot) Sprag Type	1	
53570G	Clutch Hub, L4N71B Overdrive (31 Teeth Sun Gear) (1.382" Pilot) Sprag Type	1	
53574	Clutch Hub, L3N71B / L4N71B Forward Clutch	1	
53577	Clutch Hub, L3N71B / L4N71B Low / Reverse (Drum Connecting) (33 Teeth)	1	
53580	Planet, L4N71B Overdrive (3 Gear) (33 Teeth Sun Gear)	1	
53580B	Planet, L4N71B Overdrive (3 Gear) (31 Teeth Sun Gear) (3/4" Spline Length)	1	
53580C	Planet, L4N71B Overdrive (3 Gear) (31 Teeth Sun Gear) (1 1/4" Spline Length)	1	
53580D	Planet, L4N71B Overdrive (4 Gear) (33 Teeth Sun Gear)	1	
53582A	Planet, L3N71B / L4N71B Forward (39 Teeth Sun Gear) 3 Gear (No Groove)	1	
53582AA	Planet, L3N71B / L4N71B Forward (39 Teeth Sun Gear) 3 Gear (1 Groove)	1	
53582B	Planet, L3N71B / L4N71B Forward (33 Teeth Sun Gear) 4 Gear	1	
53582C	Planet, L3N71B / L4N71B Forward (39 Teeth Sun Gear) 3 Gear (2 Groove)	1	
53582CA	Planet, L3N71B / L4N71B Forward (33 Teeth Sun Gear) 3 Gear (No Groove)	1	
53582D	Planet, L3N71B / L4N71B Forward (39 Teeth Sun Gear) 4 Gear (2 Groove)	1	
53582DA	Planet, L3N71B / L4N71B Forward (39 Teeth Sun Gear) (4 Gear) (No Groove)	1	
53584A	Planet, L3N71B / L4N71B Rear (30 Teeth Sun Gear) No Groove (Cast Iron Housing)	1	
53584B	Planet, L3N71B / L4N71B Rear (30 Teeth Sun Gear) 2 Groove (Cast Iron Housing)	1	
53584BA	Planet, L3N71B / L4N71B Rear (30 Teeth Sun Gear) 3 Gear, 2 Groove (Aluminum Housing)	1	
53584BB	Planet, L3N71B / L4N71B Rear (30 Teeth Sun Gear) 3 Gear, No Groove (Aluminum Housing)	1	
53584BC	Planet, L3N71B / L4N71B Rear (30 Teeth Sun Gear) 3 Gear, 1 Groove (Aluminum Housing)	1	
53584C	Planet, L3N71B / L4N71B Rear (33 Teeth Sun Gear) No Groove (Cast Iron Housing)	1	
53584CA	Planet, L3N71B / L4N71B Rear (33 Teeth Sun Gear) No Groove (Aluminum Housing)	1	
53590	Ring Gear, L3N71B / L4N71B Overdrive, Forward, & Rear Planet (4 1/2"OD) 1.292" Thick (No Groove On Outside)	1	
53590A	Ring Gear, L3N71B / L4N71B Overdrive, Forward, & Rear Planet (4 1/2"OD) 1.292" Thick (1 Groove On Outside)	1	
53590B	Ring Gear, L3N71B / L4N71B Overdrive, Forward, & Rear Planet (4 13/16"OD) 1.377" Thick (Fits 3 Gear Planets)	1	
53590C	Ring Gear, L3N71B / L4N71B Overdrive, Forward, & Rear Planet (4 13/16"OD) 1.292" Thick	1	
53590D	Ring Gear, L3N71B / L4N71B Overdrive, Forward, & Rear Planet (4 1/2"OD) 1.377" Thick (Fits 3 Gear Forward Planets & Aluminum Rear Planet)	1	
53590E	Ring Gear, L3N71B / L4N71B (Fits 4 Gear Forward Planet & Steel Rear Planet)	1	
53604	Hub, L3N71B / L4N71B Support Rear Planet	1	
53610A	Sun Gear, L4N71B Overdrive (33 Teeth) (For 3 Gear Planet)	1	
53610B	Sun Gear, L4N71B Overdrive (33 Teeth) (For 4 Gear Planet)	1	
53610C	Sun Gear, L4N71B Overdrive (31 Teeth) (Bushing In Center Of Gear)	1	
53610CA	Sun Gear, L4N71B Overdrive (31 Teeth) (Bushing In 1 End Of Gear)	1	
53612	Sun Gear, L3N71B / L4N71B Forward (33/33 Teeth) No Groove (2 5/8" Long)	1	
53612A	Sun Gear, L3N71B / L4N71B Forward (39/30 Teeth) No Groove (2 5/8" Long)	1	
53612B	Sun Gear, L3N71B / L4N71B (39/30 Teeth) 1 Groove (2 5/8" Long)	1	
53620	Shell, L4N71B Overdrive (31 Teeth)	1	
53620A	Shell, L4N71B Overdrive (33 Teeth)	1	
53620B	Shell, E4N71B Overdrive (33 Teeth) For Electronic Pick-Up 1988-Up	1	
53622	Shell, L3N71B / L4N71B Driving (33 Teeth)	1	
53622A	Shell, L3N71B / L4N71B Driving (30 Teeth)	1	
53622B	Shell, E4N71B Driving (30 Teeth) Electronic	1	
53630	Center Support, L4N71B (With 1 Small Bushing) Washer Type	1	
53630A	Center Support, L4N71B (With 2 Small Bushings) Washer Type	1	
53630AA	Center Support, L4N71B (With 2 Small Bushings Only) Bearing Type	1	
53630B	Center Support, L4N71B (With 1 Large & 1 Small Bushing) Washer Type	1	
53630C	Center Support, L4N71B (With 1 Large & 1 Small Bushing) Bearing Type	1	

PART #	SPRAGS & ONE WAY CLUTCHES	QTY.	REFERENCE #
53650	Sprag, L4N71B Overdrive (In Overdrive Drum)	1	
53654	Sprag, L3N71B / L4N71B Low / Reverse	1	
53661	Outer Race, L4N71B Overdrive Sprag	1	
53664	Inner Race, L3N71B / L4N71B Low / Reverse Sprag	1	

NISSAN

PART #	HARD PARTS (Continued)	QTY.	REFERENCE #
53670	Input Shaft, L3N71B Non Lock-Up	1	
53670C	Input Shaft, L3N71B Lock-Up (9 1/8" Long)	1	
53670D	Input Shaft, L3N71B Lock-Up (10 3/16" Long)	1	
53670E	Input Shaft, L4N71B Overdrive Non Lock-Up (7 1/2" Long)	1	
53670G	Input Shaft, L4N71B Overdrive Lock-Up (8 1/2" Long) 18 Splines On Converter End	1	
53670H	Input Shaft, L4N71B Overdrive Lock-Up (8 1/2" Long) 20 Splines On Converter End	1	
53674A	Shaft, L4N71B Intermediate (7 1/2" Long)	1	
53674B	Shaft, L4N71B Intermediate (7 5/16" Long)	1	
53674C	Shaft, L4N71B Intermediate (6 5/8" Long) 1 Bushing Type	1	
53674CA	Shaft, L4N71B Intermediate (6 5/8" Long) 2 Bushing Type	1	
53678	Output Shaft, L3N71B / L4N71B (15 1/4" Long) With 6 Teeth Speed-O Gear 4 1/2" From End) 1.900"OD Splines	1	
53678A	Output Shaft, L3N71B / L4N71B (15 1/4" Long) With 6 Teeth Speed-O Gear 4 1/2" From End) .970"OD Splines	1	
53678B	Output Shaft, L3N71B / L4N71B (16 1/2" Long) Without Speed-O Gear(1.800"OD Splines)	1	
53678BA	Output Shaft, L3N71B / L4N71B (16 1/2" Long) Without Speed-O Gear (.950"OD Splines)	1	
53678C	Output Shaft, L3N71B / L4N71B (18 1/2" Long) Without Speed-O Gear (1.800"OD Splines)	1	
53678D	Output Shaft, L3N71B / L4N71B (19 7/8" Long) 8 Teeth Speed-O Gear (.930"OD Splines)	1	
53678E	Output Shaft, L3N71B / L4N71B (21 1/4" Long) Without Speed-O Gear (.945"OD Splines)	1	
53680	Governor, L3N71B	1	
53680A	Governor, L4N71B	1	
53685	Support, L3N71B / L4N71B Governor With Park Gear	1	
53740	Valve Body, L3N71B (Nissan)	1	
53740A	Valve Body, L3N71B (Ford)	1	
53740B	Valve Body, L4N71B (Without Sensor)	1	
53740C	Valve Body, L4N71B (With Sensor On End Plate)	1	
53740D	Valve Body, E4N71B (With 4 Solenoids)	1	

PART #	VALVE BODY COMPONENTS	QTY.	REFERENCE #
S53741RK	Boost Valve Kit, L4N71B With Sleeve (Sonnax)	1	66942-01K

PART #	HARD PARTS (Continued)	QTY.	REFERENCE #
53750	Bell Housing, L3N71B (Cast # L-L#2) With 2 Small O-Rings	1	
53750A	Bell Housing, L4N71B (Cast # Z-L #1) With 2 Small O-Rings	1	
53750B	Bell Housing, L4N71B (Cast # Z #1) With 2 Small O-Rings	1	
53750C	Bell Housing, L4N71B (Cast # VE #2) With 2 Small O-Rings	1	
53750D	Bell Housing, L4N71B (Cast # CAE #1) With 2 Small O-Rings	1	
53750E	Bell Housing, L4N71B With 1 Small O-Ring	1	
53750G	Bell Housing, L4N71B (With 4:00 Starter & Pivot Ball)	1	
53750H	Bell Housing, E4N71B (Electronic)	1	
53760	Case, L3N71B (Nissan)	1	
53760A	Case, L3N71B (Ford)	1	
53760B	Case, L4N71B Without Electrical Connector	1	
53760C	Case, L4N71B With 1/2" Electrical Connector (With Screw In Modulator)	1	
53760CA	Case, L4N71B With 13/16" Electrical Connector (With Screw In Modulator)	1	
53760D	Case, L4N71B With 13/16" Electrical Connector (With Push In Modulator)	1	

PART #	CASE COMPONENTS	QTY.	REFERENCE #
53482	Capsule With Ball, L4N71B Overdrive Case To Servo	1	31679-X8600
53761-5	Check Balls, L4N71B Overdrive Case To Support	1	

PART #	HARD PARTS (Continued)	QTY.	REFERENCE #
53762	Overdrive Case, L4N71B (Uses Stator With 2 Small Bleed Holes) Uses A Washer # 214)	1	
53762A	Overdrive Case, L4N71B (Uses Stator With 1 Small Bleed Holes) Uses A Washer # 214)	1	
53762B	Overdrive Case, E4N71B (With Speed Sensor) Electronic Uses a Bearing # 214)	1	
53765	Pan, L4N71B 2WD	1	
53765A	Pan, E4N71B 2WD	1	
53770	Extension Housing, L4N71B (1.495"ID Bushing) 9 5/8" Long	1	
53770A	Extension Housing, L4N71B (1.375"ID Bushing) 9 5/8" Long	1	
53770B	Extension Housing, L4N71B (1.495"ID Bushing) 11" Long	1	
53770C	Extension Housing, L4N71B (1.430"ID Bushing) 11" Long	1	
53776K	Bolt Set, L4N71B Bell To Overdrive Case (Long Bolts)	1	
53778K	Bolt Set, L3N71B / L4N71B Pump Body To Stator	1	
53779K	Bolt Set, L3N71B / L4N71B Pan To Case	1	



# L3N71B / L4N71B / E4N71B

RWD 3 & 4 Speed

PART #	HARD PARTS (Continued)	QTY.	REFERENCE #
53780K	Bolt Set, L3N71B / L4N71B Valve Body To Case	1	
53781K	Bolt Set, L3N71B / L4N71B Extension Housing To Case	1	
53782K	Bolt Set, L3N71B / L4N71B Valve Body To Case	1	
53790K	Bolt Set, L3N71B / L4N71B Rear Support To Case	1	
53845	Pick-Up Plate, E4N71B Speed Sensor (Electronic Units Only)	1	
53855	Cushion, L3N71B / L4N71B Forward / Direct (Dished)	1	31529-X0100
53860	Snap Ring, L4N71B Overdrive Drum (Below Sprag)	1	
53861	Snap Ring, L4N71B Overdrive Drum Top Pressure Plate	1	
53862	Snap Ring, L4N71B Holds Overdrive Clutch Retainer In	1	
53866	Snap Ring, L4N71B Holds Overdrive Sun Gear To Bowl	1	
53868	Snap Ring, L4N71B Holds Overdrive Ring Gear To Hub	1	
53876	Snap Ring, L3N71B / L4N71B Holds Top Pressure Plate In Forward Drum	1	
53877	Snap Ring, L3N71B / L4N71B Holds Forward Clutch Retainer In	1	
53878	Snap Ring, L3N71B / L4N71B Holds Pressure Plate In Direct Drum	1	
53879	Snap Ring, 3N71B / L4N71B Holds Direct Clutch Retainer In	1	
53880	Snap Ring, L4N71B Holds Input Shaft To Sensor Plate	1	
53881	Snap Ring, L3N71B / L4N71B Holds Hub To Front Ring Gear	1	
53884	Snap Ring, L3N71B / L4N71B Holds Sun Gear To Shell	1	
53885	Snap Ring, L3N71B / L4N71B Holds Low/Reverse Pressure Plate In Case	1	
53888	Snap Ring, L3N71B / L4N71B Holds Rear Planet To Connecting Drum	1	
53889	Snap Ring, L3N71B / L4N71B Holds Rear Ring Gear To Hub	1	
53890	Snap Ring, L3N71B / L4N71B Holds Sprag In Connecting Drum	2	
53894	Snap Ring, L3N71B / L4N71B Holds Output Shaft To Rear Planet Hub	1	
53900	Servo Assembly, L4N71B Overdrive	1	
53901	Spring, L4N71B Overdrive Servo	1	
53902	Piston, L4N71B Overdrive Servo	1	
53904	Cover, L4N71B Overdrive Servo	1	
53905	Servo Assembly, L3N71B / L4N71B Intermediate (Non Electronic)	1	
53905A	Servo Assembly, E4N71B Intermediate (Electronic)	1	
53906	Spring, L3N71B / L4N71B Intermediate Servo	1	
53907	Piston, L3N71B / L4N71B Intermediate Servo	1	
53909	Cover, L3N71B / L4N71B Intermediate Servo	1	
53916	Strut, L3N71B / L4N71B Intermediate Band (For Hard Band)	1	
53916A	Strut, L3N71B / L4N71B Intermediate Band (For Flex Band)	1	
53925	Accumulator Assembly, L4N71B Overdrive	1	
53926	Spring, L4N71B Overdrive Accumulator	1	
53927	Piston, L4N71B Overdrive Accumulator	1	
53929	Cover, L4N71B Overdrive Accumulator	1	
53960	Use 53565A	1	
53964	Use 53965A	1	
53965	Piston, L3N71B / L4N71B Direct Clutch (4.283"OD)	1	
53965A	Piston, L3N71B / L4N71B Direct Clutch (4.572"OD) (Also Fits Forward Clutch #964)(Also Fits Overdrive Clutch #960)	1	
53967	Piston, L3N71B / L4N71B Low/Reverse Clutch	1	
53970	Springs, L4N71B Overdrive Clutch Return	9	
53974	Springs, L3N71B Forward Clutch Return	9	
53975	Springs, L3N71B / L4N71B Direct Clutch Return	9	
53977	Diaphragm Spring, L3N71B / L4N71B Low / Reverse Clutch Return	1	
53980	Retainer, L4N71B Overdrive Clutch Spring	1	
53984	Retainer, L3N71B / L4N71B Forward Clutch Spring	1	
53985	Retainer, L3N71B / L4N71B Direct Clutch	1	
53987	Retaining Ring, L3N71B / L4N71B Low/Reverse Clutch Return Spring	1	
53991	Linkage Assembly, L4N71B With Park Rod (Internal)	1	
53995	Park Pawl Assembly, L4N71B	1	
53996	Fitting, L3N71B / L4N71B Cooler Line	2	



## Technical Bulletin #393

**Transmission:** 3N71B, 4N71B, M41

**Subject:** Orifice locations

**Application:** Nissan, Mazda, Dodge, Mitsubishi, Subaru

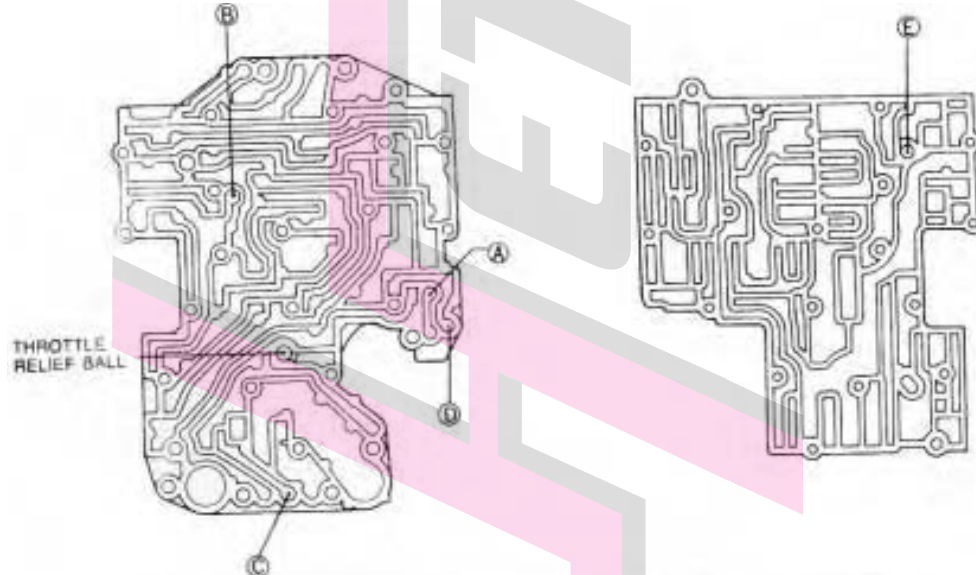
**Issue Date:** 1996

## 3N71B, 4N71B, M41

### Orifice Locations

The following illustration shows the location and size of the various orifices used in these transmissions.

**NOTE:** Not all units use all of the orifices shown.



Orifice	Function	Observed Sizes
A	Meters intermediate servo release oil during a 3-2 downshift	.047", .051", .059", .067"
B	Meters oil to the direct clutch for 3rd gear	.059"
C	Meters forward clutch oil for engagement feel into drive	.070", .079"
D	Meters line oil to the overdrive direct clutch and release side of the OD servo during a 4-3 downshift	.079", .087"
E	Meters the direct clutch for reverse engagement (does not use a spring)	.079", .087"