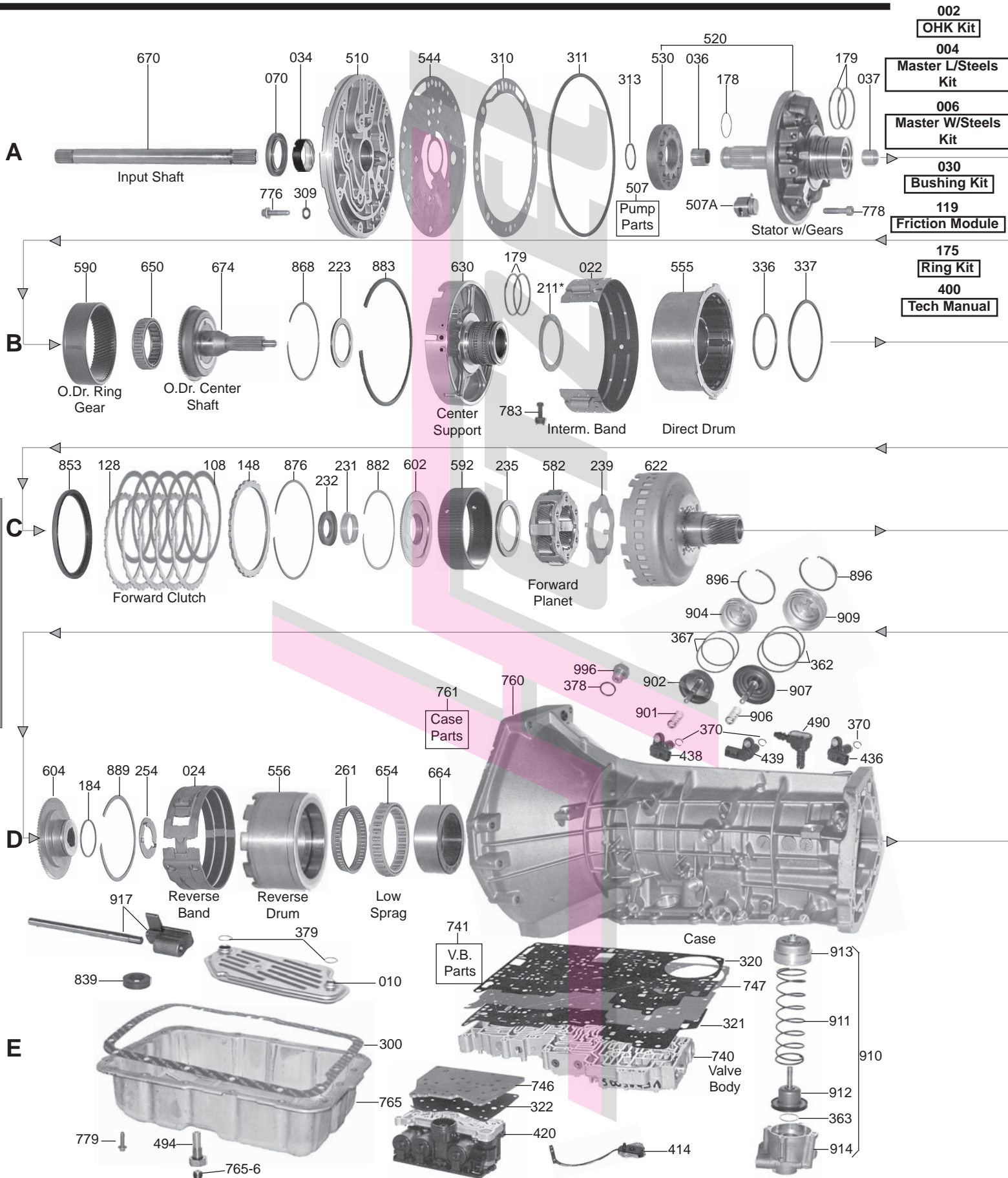
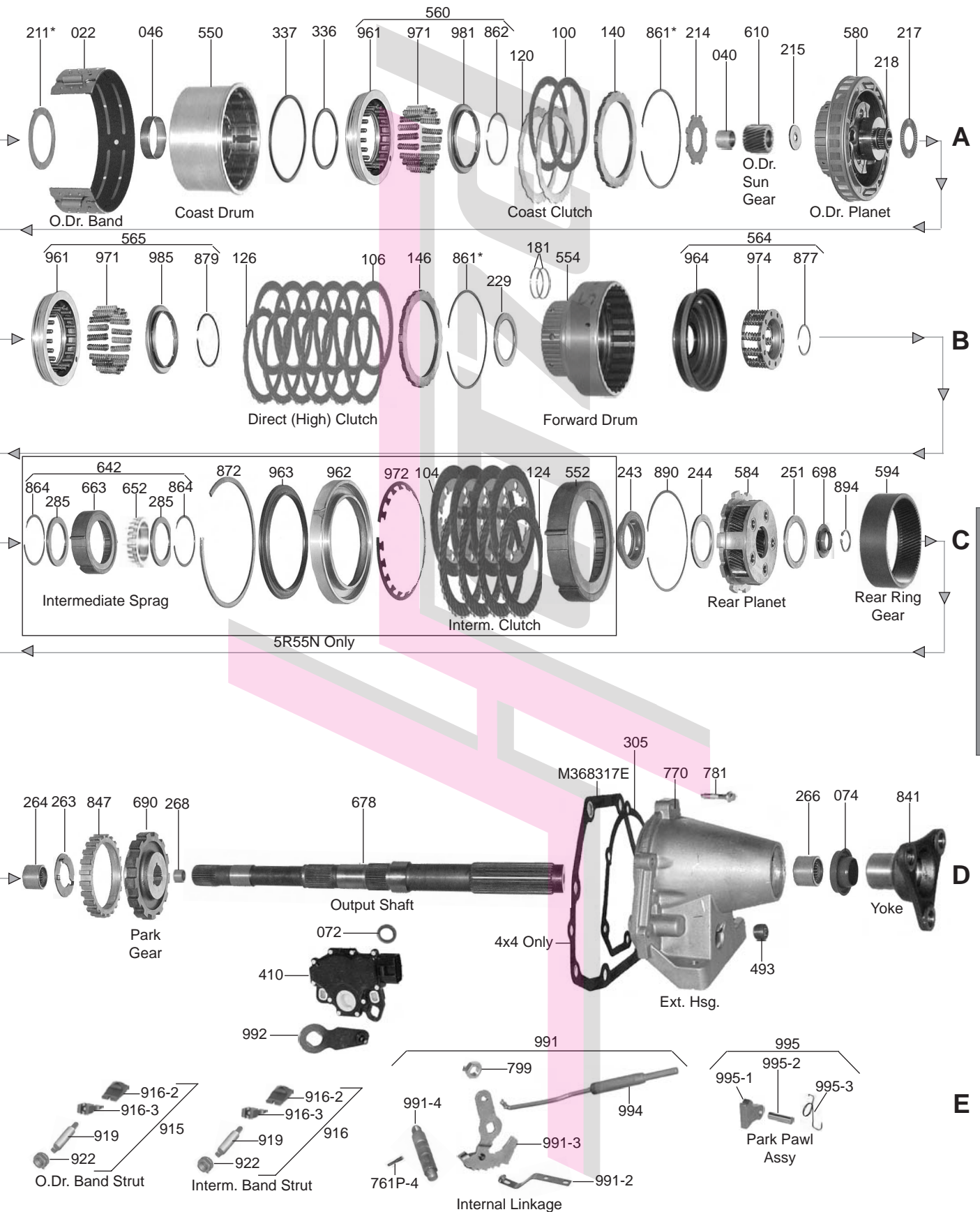


FORD





FORD

# 5R55N / 5R55S / 5R55W

RWD 5 Speed

FORD

PART #	OVERHAUL KITS	QTY.	REFERENCE #
16002AP	Overhaul Kit, 5R55N (With Bonded Pistons) 1999-Up	1	
16002GP	Overhaul Kit, 5R55S/5R55W (With Bonded Pistons) 2002-Up (For Mustang GT Sell 16074G Also)	1	
PART #	MASTER L/STEEL KIT	QTY.	REFERENCE #
16004AP	Master L/Steels Kit, 5R55N (With Bonded Pistons) 1999-Up	1	
16004GP	Master L/Steels Kit, 5R55S/5R55W (With Bonded Pistons) 2002-Up (For Mustang GT Sell 16074G Also)	1	
PART #	MASTER W/STEEL KIT	QTY.	REFERENCE #
16006AP	Master W/Steels Kit, 5R55N (With Bonded Pistons) 1999-Up	1	
16006GP	Master W/Steels Kit, 5R55S/5R55W (With Bonded Pistons) 2002-Up (For Mustang GT Sell 16074G Also)	1	
PART #	FILTER	QTY.	REFERENCE #
16010A	Filter, 5R55N (3/8" Tall Pick-up Tube) 1999-Up	1	XW4Z-7A098BB
16010G	Filter, 5R55S/5R55W (2 1/4" Tall Pick-Up Tube) 2002-Up	1	1L2Z-7A098AC
16010GA	Filter, 5R55S/5R55W (1 1/16" Tall Pick-Up Tube) 2002-Up	1	3W4Z-7A098-AA
PART #	BANDS	QTY.	REFERENCE #
56022E	Band, 5R55N Intermediate & Overdrive (Flex) 1985-Up	2	
16022G	Band, 5R55S/5R55W Intermediate & Overdrive (Higher Energy) 2002-Up	2	1L2Z-7D034AA
16024A	Band, 5R55N/5R55S/5R55W Rear Double Wrap (1.840" Wide Strapping) 1999-Up	1	XW4Z-7D095AA
PART #	BUSHINGS	QTY.	REFERENCE #
16030A	Bushing Kit, 5R55N/5R55S/5R55W 1999-Up	1	
56034B	Bushing, 5R55N/5R55S/5R55W Pump Cover 1999-Up	1	
56036A	Bushing, 5R55N/5R55S/5R55W Overdrive Sun Gear 1999-Up	1	
56036B	Bushing, 5R55N/5R55S/5R55W Stator (Front) 1999-Up	1	
56037	Bushing, 5R55N/5R55S/5R55W Stator (Rear) 1999-Up	1	
56046	Bushing, 5R55N/5R55S/5R55W Coast Clutch Drum 1999-Up	1	
16040A	Use 56036A	1	
76066B	Bushing, 5R55S/5R55W 2WD Extension Housing 2002-Up (1.606"ID)(Bronze)	1	
PART #	METAL CLAD SEALS	QTY.	REFERENCE #
56070B	Seal, 5R55N/5R55S/5R55W Front (No Flange) (Rubber Coated) 1999-Up	1	F77Z-7A248AA
36072	Seal, 5R55N Linkage 1999-Up	1	D5AZ-7B498A
16074A	Seal, 5R55N Rear 2WD 2000-Up	1	XW4Z-7052AA
76074B	Seal, 5R55S/5R55W Rear (W/Long Boot) 2WD 2002-Up	1	F6UZ-7052A
16074G	Seal, 5R55S/5R55W Extension Housing 4X4 2002-Up	1	1L2Z-7052BA
PART #	FRICTION CLUTCH	QTY.	REFERENCE #
56100B	Friction, 5R55N/5R55S/5R55W Coast Clutch 1999-Up	2	F7ZZ-7B164CA
16104A	Friction, 5R55N Intermediate Clutch (1 Sided Friction) (24 Inner Teeth) (.098") 1999-Up	4	XW4Z-7B164CA
16106A	Friction, 5R55N/5R55S/5R55W Direct Clutch (1 Sided) (48 Internal Teeth) (.083") (4.857"OD) (High Energy Eclipse) 1999-Up	5	XW4Z-7B164BA
16108A	Friction, 5R55N/5R55S/5R55W Forward Clutch (.069") (5.230"OD) (89 Teeth) 1999-Up	5	XW4Z-7B164AA
16119A	Friction Module, 5R55N 1999-Up	1	
16119G	Friction Module, 5R55S/5R55W 2002-Up	1	
PART #	STEEL CLUTCH	QTY.	REFERENCE #
56120B	Steel, 5R55N/5R55S/5R55W Coast Clutch .065" 1999-Up	2	F0TZ-7B442B
16124A	Steel, 5R55N Intermediate (1 Sided Friction) (33 Outer Teeth) (.098") 1999-Up	4	XW4Z-7B442CA
16126A	Steel, 5R55N/5R55S/5R55W Direct (1 Sided Friction) (20 Outer Teeth) (.083") (4.00"ID) 1999-Up	5	XW4Z-7B442BA
16128A	Steel, 5R55N/5R55S/5R55W Forward Clutch (.065") (4.645"ID) (27 Teeth) 1999-Up	5	XW4Z-7B442AA

PART #	CLUTCH PRESSURE PLATES	QTY.	REFERENCE #
56140B	Pressure Plate, 5R55N/5R55S/5R55W Coast Clutch (.200")(& Direct Clutch) 1999-Up	1-2	F0TZ-7B066-B
16146A	Use 56140B	1	
16148A	Pressure Plate, 5R55N/5R55S/5R55W Forward Clutch (.155") (27 Teeth) (4.640"ID) 1999-Up	1	XW4Z-7B066-AA
PART #	SHIFT KITS	QTY.	REFERENCE #
T16165A	Shift Kit, 5R55N/5R55W 1999-5 (Transgo)	1	
T16171G	Shift Kit, 5R55S/5R55W (Hi Performance & Heavy Duty) 2002-Up (Transgo)	1	
PART #	OIL SEALING RINGS	QTY.	REFERENCE #
16175A	Ring Kit, 5R55N/5R55S/5R55W 1999-Up (Metal & Hard Plastic)	1	
56181LT	Ring, 5R55N/5R55S/5R55W Forward Clutch (1.576"OD) (Peek)	2	
PART #	WASHERS & BEARINGS	QTY.	REFERENCE #
16211AA	Bearing W/Races, 5R55N/5R55S/5R55W Center Support To Direct Drum (.100" Thick) (3.515"OD) 1999-Up	2	
16211AB	Bearing W/Races, 5R55N/5R55S/5R55W Center Support To Direct Drum (.107" Thick) (3.515"OD) 1999-Up	2	
16211AC	Bearing W/Races, 5R55N/5R55S/5R55W Center Support To Direct Drum (.114" Thick) (3.515"OD) 1999-Up	2	
16211AD	Bearing W/Races, 5R55N/5R55S/5R55W Center Support To Direct Drum (.121" Thick) (3.515"OD) 1999-Up	2	
56211AA	Washer, 5R55N/5R55S/5R55W Pump To Coast Clutch Drum .047" (Plastic) 1999-Up	1	
56211BA	Washer, 5R55N/5R55S/5R55W Pump To Coast Clutch Drum .055" (Plastic) 1999-Up	1	F7TZ-7D014VA
56211CA	Washer, 5R55N/5R55S/5R55W Pump To Coast Clutch Drum .063" (Plastic) 1999-Up	1	F7TZ-7D014TA
56211DA	Washer, 5R55N/5R55S/5R55W Pump To Coast Clutch Drum .067" (Plastic) 1999-Up	1	
56211EA	Washer, 5R55N/5R55S/5R55W Pump To Coast Clutch Drum .071" (Plastic) 1999-Up	1	F7TZ-7D014MA
56211GA	Washer, 5R55N/5R55S/5R55W Pump To Coast Clutch Drum .075" (Plastic) 1999-Up	1	F7TZ-7D014NA
56211HA	Washer, 5R55N/5R55S/5R55W Pump To Coast Clutch Drum .079" (Plastic) 1999-Up	1	F7TZ-7D014PA
56211JA	Washer, 5R55N/5R55S/5R55W Pump To Coast Clutch Drum .083" (Plastic) 1999-Up	1	F7TZ-7D014RA
56211KA	Washer, 5R55N/5R55S/5R55W Pump To Coast Clutch Drum .087" (Plastic) 1999-Up	1	F7TZ-7D014SA
56211LA	Washer, 5R55N/5R55S/5R55W Pump To Coast Clutch Drum .094" (Plastic) 1999-Up	1	
56211MA	Washer, 5R55N/5R55S/5R55W Pump To Coast Clutch Drum .102" (Plastic) 1999-Up	1	
56211NA	Washer, 5R55N/5R55S/5R55W Pump To Coast Clutch Drum .110" (Plastic) 1999-Up	1	
16214A	Washer, 5R55N/5R55S/5R55W Overdrive Sun Gear To Overdrive Drum (24 Teeth Sun Gear) (.420" Wide Lugs) 1999-Up	1	
16214AA	Washer, 5R55N Overdrive Sun Gear To Overdrive Drum (24 Teeth Sun Gear) (.320" Wide Lugs)	1	YW4Z-7660AA
16214G	Washer, 5R55S/5R55W Overdrive Sun Gear To Overdrive Drum (38 Teeth Sun Gear) (.320" Wide Lugs) 2002-Up	1	2L2Z-7660-AA
16215G	Bearing W/Races, 5R55S/5R55W Overdrive Sun To Overdrive Planet 2002-Up	1	
56217	Bearing, 5R55N/5R55S/5R55W Overdrive Planet to Overdrive Center Shaft 1999-Up	1	E5TZ-7L495A
56223B	Bearing W/Races, 5R55N/5R55S/5R55W Overdrive Center Shaft To Center Support 1999-Up (Also Direct Drum To Forward Drum, Shell To Rear Planet, & Rear Planet To Hub)	1-4	F7TZ-7M153-EB
16229A	Use 56223B	1	
16231A	Use 56232C	1	
16232A	Bearing W/Races, 5R55N/5R55S/5R55W Forward Drum To Hub (1.950"OD) 1999-Up	1	1L2Z-7D234-AA
56232C	Washer, 5R55N/5R55S/5R55W Bearing to Forward Hub (Solid Bronze) 1999-Up	1	F0TZ-7D090A
16235A	Bearing W/Races, 5R55N/5R55S/5R55W Front Planet To Hub 1999-Up	1	XW4Z-7F374AA
16239A	Washer, 5R55N/5R55S/5R55W Front Planet To Shell (2.390"ID) (.100" Thick) Plastic (6 Fingers) 1999-Up	1	
16243A	Collar, 5R55N Intermediate (2.990"OD) (.518" Thick) (4 Holes) 1999-Up	1	XW4Z-7C167-AA
16243G	Spacer, 5R55S/5R55W Shell To Rear Planet 2002-Up	1	1L2Z-7C167-AA
16244A	Use 56223B	1	
16251A	Use 56223B	1	
16254A	Bearing W/Races, 5R55N/5R55S/5R55W Rear Hub To Race (.141" Thick) (1.960"OD) 1999-Up	1	F3RZ-7H027-A
16261A	Caged Needle Bearing, 5R55N/5R55S/5R55W Rear Drum To Low Sprag (52 Needles) 1999-Up	1	
56263	Washer, 5R55N/5R55S/5R55W Parking Gear To Case 1999-Up	1	D4ZZ-7B368-A
16264A	Caged Needle Bearing, 5R55N/5R55W Case To Output Shaft 1999-Up (F-222722)	1	F7TZ-7R205AA
16266A	Caged Needle Bearing, 5R55N Extension Housing 1999-Up	1	
56268	Caged Needle Bearing, 5R55N/5R55S/5R55W Output Shaft (Front)	1	
16285A	Washer, 5R55N Intermediate Sprag Side 1999-Up	2	

FORD

# 5R55N / 5R55S / 5R55W

RWD 5 Speed

PART #	GASKETS & RUBBER COMPONENTS	QTY.	REFERENCE #
16300AW	Gasket, 5R55N Bottom Pan (Plastic With Silicon Bead) OE Style (With Large Holes) 1999-Up	1	XW4Z-7A191CA
16300GW	Gasket, 5R55S/5R55W Bottom Pan (Metal With Silicon Bead) OE Style (With Small Holes) 2002-Up	1	1L2Z-7A191BA
16305A	Gasket, 5R55N/5R55S/5R55W (2WD) Extension Housing To Case 1999-Up (Also Fits 5R55S/5R55W 4x4 Case To Rear Seal Housing) (On 4x4 Units This Is The Inner Gasket, The Outer Gasket Is M368317E)	1	XW4Z-7086-AA
M368317E	Gasket, 5R55S/5R55W Case To Transfer Case (Outer Gasket)	1	
44309	Gasket, 5R55N/5R55S/5R55W Pump Bolt Washer	AR	
16310A	Gasket, 5R55N/5R55S/5R55W Pump 1999-Up	1	XW4Z-7A136AB
16311A	O-Ring, 5R55N/5R55S/5R55W Pump Cover 1999-Up	1	XW4Z-7A248AA
56313A	O-Ring, 5R55N Inner Pump Gear 1999-Up	1	F77Z-7L323AA
16320A	Gasket, 5R55N Valve Body Separator Plate To Case 1999-Up	1	
16320G	Gasket, 5R55S/5R55W Valve Body Separator Plate To Case (Upper) 2002-Up	1	
16320GK	Bonded Plate/Gasket, 5R55S/5R55W Valve Body Separator Plate (With Bonded Gaskets) (Code #01) 2002-Up	1	
16321A	Gasket, 5R55N Valve Body To Separator Plate 1999-Up	1	
16321G	Gasket, 5R55S/5R55W Valve Body To Separator Plate (Lower) 2002-Up	1	
56337AA	Lip Seal, 5R55N/5R55S/5R55W Overdrive Clutch (Outer) 1997-05	1	
16362A	O-Ring, 5R55N/5R55S/5R55W Intermediate Servo Cover (Takes 2) 1999-Up	2	
16363G	D-Ring, 5R55S/5R55W Reverse Servo Housing To Piston 2002-05	1	
16367A	O-Ring, 5R55N/5R55S/5R55W Intermediate Servo Cover (Takes 2) 1999-Up	2	
16379A	O-Ring, 5R55N Filter (Large) 1999-02	1	
16379AA	O-Ring, 5R55N Filter (Small) 1999-02	1	
16379G	O-Ring, 5R55S/5R55W Filter (Large) 2002-Up	1	
16379GA	O-Ring, 5R55S/5R55W Filter (Small) 2002-Up	1	

PART #	TECHNICAL MANUALS	QTY.	REFERENCE #
16400A	Technical Manual, 5R55N 1999-Up (ATSG)	1	5R55N
A16400C	Rebuild Manual, 5R55N/5R55S/5R55W Rebuild Procedures (ATRA)	1	
16400G	Technical Manual, 5R55S/5R55W 2002-Up	1	5R55S/5R55W

PART #	ELECTRICAL COMPONENTS	QTY.	REFERENCE #
16410A	Switch, 5R55N Trans Range (TRS) (12 Prong Connector) 1999-Up (Use 16410G)	1	XW4Z-7F293AA
16410G	Switch, 5R55S/5R55W Trans Range (TRS)(11 Prong Connector) 2002-Up (Cast # 5W4P-7F293-AA)(Retro Fits 16410A)	1	1L2Z-7F293AA
16410GA	Switch, 5R55S/5R55W Trans Range (TRS)(11 Prong Connector) 02-Up(Cast # 1L2P-7F293-AB)	1	
16414A	Switch, 5R55N Reverse Pressure 2000-Up	1	XW4Z-7E440AA
16420A	Solenoid Assembly, 5R55N (12 Pin) 1999-Up (Lincoln Only)	1	XW4Z-7G391AC
16420G	Solenoid Assembly, 5R55S/5R55W (12 Pin Connector) 2002-03	1	1L2Z-7G391AE
16420GB	Solenoid Assembly, 5R55S/5R55W (12 Pin Connector) 2004-Up	1	4L2Z-7G391-AA
16436A	Use 16438A	1	
16438A	Sensor, 5R55N/5R55S/5R55W Input Speed (Cast #XW4P-7H103AA) Also Fits 5R55N / 5R55W Output And 5R55S/5R55W Intermediate Speed Sensor 1999-Up	1-3	XW4Z-7H103AA
16439G	Use 16438A	1	
16439H	Sensor, 5R55N Intermediate Shaft Speed (Cast #XW4P-7M183AA) W/6 Ribs On Tip 1999-Up	1	XW4Z-7M183AA
F85Z-2L373AB	Speed Sensor, Rear Axle Housing (Output Speed) 1990-97 Aerostar, 1990 Bronco II, 1990-06 E-150/250/350, 1990-03 F-150, 1991-01 Expedition/Mountaineer, 1990-99 F250, 1999-04 SD F250-F450, 2000-06 Excursion, 1990-03 Ranger, 2000-01 Sporttrac, 1997-02 Expedition	1	

PART #	MISC. COMPONENTS	QTY.	REFERENCE #
16493A	Fill Plug, 5R55N/5R55S/5R55W (Screw In) (Allen Head Type) (.670"OD) 1999-Up	1	
16494A	Drain Plug, 5R55N/5R55S/5R55W Oil Pan (1.420" Overall Length) 1999-Up (Comes With The Fluid Level Check Plug #D16765A-6)	1	6L2Z-7A010-AA
16494AA	Drain Plug, 5R55N/5R55S/5R55W Oil Pan (1.855" Overall Length) 1999-Up	1	
16507A	Valve, 5R55N/5R55S/5R55W Line Pressure Relief (1.085"OD) 1999-Up	1	XW4Z-7H411-A
16507AK	Valve Kit, 5R55N/5R55S/5R55W Line Pressure Relief (With O-Rings) (Contains: O-Ring, Canister, Valve & Spring) (Sonnax)	1	
A16507A-1	Valve, 5R55N/5R55W/5R55W Line Pressure Relief (Without Ring)	1	
S16507A-8	O-Ring, 5R55N/5R55S/5R55W For The S16507AK	1	
T-0519	Flex Plate Aligner, 5R55N/5R55W (Use With FM79HS)	1	
T-0519-A	Flex Plate Aligner, 5R55N/5R55W Aluminum With Replacement Bushign (Use With FM79HS)	1	

PART #	HARD PARTS	QTY.	REFERENCE #
16510A	Pump Body, 5R55N/5R55S/5R55W (8 Bolt) Aluminum (RFXW4P-7B325-AA and D04YA-MA4) 1999-Up.....	1	
16520A	Stator W/Gears, 5R55N/5R55S/5R55W (6 Bolt) (XW4P-70043) 1999-Up.....	1	
T-16520A	Pump Alignment Tool, 5R55N/5R55S/5R55W (We Have This Made Special For Us).....	1	
16530A	Pump Gear Set, 5R55N/5R55S/5R55W (.610" Thick) (11 Teeth & 13 Teeth) 1999-Up.....	1	
16544A	Pump Plate, 5R55N/5R55S/5R55W (8 7/8"OD) Has A 3/4" Hole Off Center 1999-Up.....	1	1L2Z-7B472-AA
16550A	Drum, 5R55N/5R55S/5R55W Coast Clutch (2 Clutch) Cast Iron (8 Notches) (.420" Wide Lugs For #214 Drive Washer) 1999-Up.....	1	XW4Z-7L669AA
16550G	Drum, 5R55S/5R55W Coast Clutch (2 Clutch) Cast Iron (8 Notches) (.320" Wide Lugs For #214 Drive Washer) 2002-Up.....	1	
16552A	Drum, 5R55N Intermediate 1999-Up.....	1	XW4Z-7F340AA
16554A	Drum, 5R55N/5R55S/5R55W Forward Clutch (5 Clutch) (5.815"OD) 1999-7/03.....	1	1L2Z-7A360-AA
16555A	Drum, 5R55N/5R55S/5R55W Direct (6 Clutch) (1/2" From Snap Ring Groove To Edge Of Drum) 1999-Up.....	1	1L2Z-7D044-CA
16555AA	Drum, 5R55N/5R55S/5R55W Direct (5 Clutch) (5/8" From Snap Ring Groove To Edge Of Drum) 1999-Up.....	1	
16556A	Drum, 5R55N/5R55S/5R55W Rear (10 Lugs) W/Low Sprag (30 Lug, Plastic Cage) (Drum Cast # BWK XW4P-7E193-AA) 1999-Up.....	1	XW4Z-7C498AA
16560A	Use 56565D.....	1	
16564A	Piston Kit, 5R55N/5R55S/5R55W Forward Clutch (Bonded) 1999-Up.....	1	
56565D	Piston Kit, 5R55N/5R55S/5R55W Direct & Coast Clutch Drum (Cast #90D) 1999-Up.....	2	
16580A	Planet, 5R55N/5R55S/5R55W Overdrive (24 Teeth Sun Gear) (W/Double Reluctor Ring & Hollow Pins) 1999-Up (Bearing Between Planet & Sung Gear Stays In Planet).....	1	XW4Z-7B446BA
16580AC	Planet, 5R55N/5R55S/5R55W Overdrive (24 Teeth Sun Gear)(With Double Reluctor Ring) 1999-Up (This Is A 56580A Converted To A 16580A Planet).....	1	
16580AK	Planet Kit, 5R55N/5R55S/5R55W (24 Teeth Sun Gear) 1999-Up (Contains: # 550, 214,610,580, 590 & 674)(Retro Fits 5R55S/5R55W With 38 Teeth Sun Gear).....	1	
16580A-9	Reluctor Ring, 5R55N/5R55S/5R55W (Goes On Overdrive Planet)(Can Use This On A 56580A Planet To Make It Fit A 5R55N/5R55S/5R55W).....	1	
16580G	Planet, 5R55S/5R55W Overdrive (38 Teeth Sun Gear) (W/Double Reluctor Ring & Hollow Pins) 2002-Up (Bearing Between Planet & Sun Gear Comes Out Of Planet & Does Not Come With Planet) (Bearing Is # 16215G).....	1	2L2Z-7B446-AA
16580GK	Planet Kit, 5R55S/5R55W (38 Teeth Sun Gear) 2002-Up (Contains: # 550, 214,610,580,590,674) (Retro Fits 5R55N/5R55S/5R55W With 24 Teeth Sun Gear).....	1	
16582A	Planet, 5R55N Forward (6 Gear) (Uses 47 Teeth Sun Gear) (Cast # RFXW4P-70055-EB) 1999-Up.....	1	YW4Z-7A398AA
16582AAK	Planet Kit, 5R55N Forward (6 Gear)(Uses A 55 Teeth Sun Gear) 1999-Up (Contains: #602G, 592G, 582G, 622AA).....	1	
16582G	Planet, 5R55S/5R55W Forward (6 Gear) (Uses 55 Teeth Sun Gear) (Cast # RF1L2P-7D055-DA) 2002-Up.....	1	2L2Z-7A398-AA
16582GK	Planet Kit, 5R55S/5R55W Forward (6 Gear) (Uses A 55 Tooth Sun Gear) 2002-Up (Contains: # 602, 592, 582, 622).....	1	
16584A	Planet, 5R55N Rear (5 Gear) 2 Piece Housing (1/5 Cast, 1/2 Steel) Can Use 16584G (Cast #RFXW4P-7D007-AA).....	1	XW4Z-7D006AA
16584G	Planet, 5R55S/5R55W Rear (5 Gear) 10 Lug (1 Piece Steel Housing (Can Use 16584A) 2002-Up.....	1	1L2Z-7D006BA
56590B	Ring Gear, 5R55N/5R55S/5R55W Overdrive Planet (Used With Plastic Caged Sprag) (Uses 24 Teeth Sun Gear) 1999-Up.....	1	F3TZ-7A153-A
16590G	Ring Gear, 5R55S/5R55W Overdrive Planet (Used With Plastic Caged Sprag) (Uses 38 Teeth Sun Gear).....	1	2L2Z-7A153-AA
16592A	Ring Gear, 5R55N Forward Planet (85 Teeth) (89 Clutch Splines) 1999-Up.....	1	YW4Z-7D392AA
16592G	Ring Gear, 5R55S/5R55W Forward Planet (101 Teeth) (89 Clutch Splines).....	1	4L2Z-7D392-AA
16594A	Ring Gear, 5R55N Rear Planet (83 Teeth) (1.393" Thick) 1999-Up.....	1	XW4Z-7A153AA
16602A	Hub, 5R55N Forward Ring Gear (1.585"ID) (85 Teeth) Steel 1999-Up.....	1	
16604A	Hub, 5R55N/5R55S/5R55W Rear Ring Gear (83 Teeth) (2.050" Neck OD) 1999-Up.....	1	XW4Z-7B067-AA
56610	Sun Gear, 5R55N/5R55S/56R55W Overdrive (24 Teeth) 1985-Up.....	1	F7RZ-7D063-AA
16610G	Sun Gear, 5R55S/5R55W Overdrive (38 Teeth) 2001-Up.....	1	2L2Z-7D063-AA
16622A	Shell, 5R55N/5R55S/5R55W With Sun Gear (6 1/4"OD) (27 Teeth /47 Teeth) 32 Sensor Holes (Has A Bearing Inside).....	1	2W4Z-7A019AA
16622AA	Shell, 5R55N/5R55S/5R55W With Sun Gear (6 1/4"OD) (27 Teeth/55 Teeth) 32 Sensor Holes (Has A Bearing Inside).....	1	YW4Z-7A019-AA
16622G	Shell, 5R55N/5R55S/5R55W With Sun Gear (6 1/4"OD) (27 Teeth / 55 Teeth) 32 Sensor Holes (No Bearing Inside).....	1	4L2Z-7A019-AA
16630A	Center Support, 5R55N/5R55S/5R55W (Has A Caged Bearing In Ring Area) 1999-Up (Does Not Use A Speed Sensor)(Can Use 56630C).....	1	
56630C	Center Support, 5R55N/5R55S/5R55W (Has A Caged Bearing In Ring Area) (With Speed Sensor Hole)(With Or Without Sensor).....	1	

FORD

# 5R55N / 5R55S / 5R55W

RWD 5 Speed

PART #	SPRAGS & ONE WAY CLUTCHES	QTY.	REFERENCE #
16642A	Sprag Assembly, 5R55N Intermediate 1999-Up	1	XW4Z-7A089-CA
56650C	Sprag, 5R55N/5R55S/5R55W Overdrive (.460" Wide Lugs) (Plastic Cage) With Brass Washer On One Side	1	F7TZ-7A089-AB
16652A	Sprag Element, 5R55N Intermediate 1999-Up	1	
16654A	Sprag Element, 5R55N/5R55S/5R55W low (30 Lugs) Plastic Cage 1999-Up	1	

PART #	HARD PARTS (Continued)	QTY.	REFERENCE #
16663A	Outer Race, 5R55N Intermediate Sprag 1999-Up	1	
16664A	Inner Race, 5R55N/5R55S/5R55W Rear Sprag (Press-In) (3.310"OD) (1.215" Thick) 1999-Up	1	
56670B	Input Shaft, 5R55N (10" Long) 1990-Up	1	XL2Z-7017-AA
16670G	Input Shaft, 5R55S/5R55W (10 1/4" Long) 2001-Up	1	
56674C	Center Shaft, 5R55N/5R55S/5R55W Overdrive (Uses 24 Teeth Sun Gear) 1997-Up	1	XL2Z-7A658-AA
56674CK	Center Shaft Assembly, 5R55N/5R55S/5R55W Overdrive (Uses 24 Teeth Sun Gear)(Contains: # 56674C, 56590B & 56650C)	1	
16674G	Center Shaft, 5R55S/5R55W Overdrive (Uses 38 Teeth Sun Gear) 2001-Up	1	2L2Z-7A658-AA
16674GK	Center Shaft Assembly, 5R55S/5R55W Overdrive (Uses 38 Teeth Sun Gear) 2002-Up (Contains: 16674G, 16590G & 56650C)	1	
16678A	Output Shaft, 5R55N 2WD (15 1/4" Long) (Bolt-On Yoke Type) 1999-Up	1	YW4Z-7060BA
16678G	Output Shaft, 5R55S/5R55W 2WD (15 1/2" Long) 2002-Up	1	1L2Z-7060BA
16678GB	Output Shaft, 5R55S/5R55W 4x4 2002-Up	1	1L2Z-7060AA
16690A	Park Gear, 5R55N/5R55S/5R55W (13 Lugs) (Uses A Press-On Pick-Up Reluctor Wheel) 1999-Up	1	
166960AA	Park Gear, 5R55N (13 Lugs) Has A 24 Lug Pick-Up Reluctor Wheel That Is Welded To The Park Gear	1	
16698A	Oil Dam, 5R55N/5R55S/5R55W Rear Planet (1.737"OD) (.355" Thick) 1999-Up	1	XW4Z-7B176AA
16699A	Oil Baffle, 5R55N/5R55S/5R55W Overdrive Planet (Front) Stays In Planet (Aluminum & Plastic) 3.572"OD (2.700"ID) 1999-Up	1	
16740A	Valve Body, 5R55N (Without Solenoids) (Cast # RFXW4P-7A101-AF)	1	
16740AA	Valve Body, 5R55N (Without Solenoids) (Cast # RFXW4P-7A101-AH)	1	
16740AC	Valve Body, 5R55N (Without Solenoids) (Cast # RFXW4P-7A101-AJ)	1	XW4Z-7G391AC
16740G	Valve Body, 5R55S/5R55W (Without Solenoids) (Cast # RF1L2P-7A101-EA Or GA)	1	1L2Z-7A100BA
16740GB	Valve Body, 5R55S/5R55W (Without Solenoids) (Cast # RF5L2P-7A101-CA)	1	

PART #	VALVE BODY COMPONENTS	QTY.	REFERENCE #
S16741AC-1K	Valve Kit, 5R55N/5R55S/5R55W TCC Control (Sonnax) (Contains: Valve, 2 Springs, Plug & Dowel Pin) (Must Use Tool # T-F-56947J-TL2 & T-VB-Fix)	1	
T-F-56947J-TL	Reamer For S16741AC-1K	1	
S16741AC-3	Spring, 5R55N/5R55S/5R55W TCC Control (5 Per Pack) (Sonnax)	1	56947J-S3
S16741AG-3	Spring, 5R55N/5R55S/5R55W Forward Engagement Control (5 Per Pack) (Sonnax)	1	56947J-S6
S16741AJ-3	Spring, 5R55N 4-3 Pre-Stroke Valve (Sonnax) 1999-Up	1	56947J-S1
16741AM-1	Manual Valve, 5R55N/5R55S/5R55W (4 7/16") 1999-Up	1	
S16741GACK	Valve & Sleeve Kit, 5R55S/5R55W TCC Modulator Plunger Valve (Increased Ratio)(Sonnax)	1	
S16741GC-1K	TCC Modulator Valve Assembly, 5R55N/5R55S/5R55W (Sonnax)(Contains: Valve, Sleeve & 2 Springs)(Must Use Tool # T-F-56947J-TL15 & T-VB-Fix)	1	
T-F-56947J-TL15	Reamer, Guide Pin & Jig, For S16741GC-1K (Sonnax)	1	
S16741GCK	TCC Modulator Plunger Valve & Sleeve, 5R55W/5R55W (Sonnax)	1	
S16741GGK	Valve & Sleeve Kit, 5R55S/5R55W Forward Engagement (Contains: Valve, Sleeve & Spring) (Sonnax)(Must Use Tool # T-F-27741-TL13 & T-VB-Fix)	1	
T-F-27741-TL13	Tool Kit, For S16741GGK	1	
S16741GPK	Sleeve & Clip Kit, 5R55S/5R55W Pressure Regulator Valve (Sonnax) Must Use Tool # T-56947J-TL9	1	
T-56947J-TL9	Reamers & Jig, For S16741GPK (Sonnax)	1	
S16741GRK	Valve & Sleeve Kit, 5R55S/5R55W Reverse Engagement (Contains: Valve, Sleeve & Spring) (Sonnax)(Must Use Tool #T-F-27741-TL13 & T-VB-Fix)	1	
S16741GUK	Valve & Sleeve Kit, 5R55S/5R55W Reverse Modulator (Contains: Valve, Sleeve & Spring) (Sonnax)(Must Use T-F-27741-TL13 & T-VB-Fix)	1	
S16741GVK	VSF Modulator Control Assembly, 5R55S/5R55W (Fits VFS1 & VSF2 Bore) (Contains: Valve, Sleeve, End Plug, Spring & 2 O-Rings) (Sonnax) (Must Use Tool # T-F-56947J-TL19) & T-VB-Fix)	1	
T-F-56947J-TL19	Reamer, Guide Pin & Jigs, For S16741GVK (Sonnax)	1	
T-VB-FIX	Valve Body Reaming Fixture (Sonnax)	1	
T-56947J-BST2	Bore Sizing Tool, 5R55N TCC Back Pressure Valve (Sonnax) (Removes Wear Ridges To Provide For Smoother Valve Operation)	1	

PART #	HARD PARTS (Continued)	QTY.	REFERENCE #
16746A	Plate, 5R55N Solenoid Block To Valve Body (8" Long) 1999-Up	1	
16747A	Plate, 5R55N Valve Body (30 Holes) (8" Long) 1999-Up	1	
16760B	Case, 5R55N (3 1/2" Top Bolts) Round Top (Jaguar 4.0 Liter/Lincoln 3.9L) (Filler Plug In Extension Housing)	1	YW4Z-7005-CA
16760BA	Case, 5R55N (3 1/4" Top Bolts) Flat Top (3.0 Liter) (Cast # RFXW4P-7006-BD Or BE)	1	
16760BB	Case, 5R55N (3 1/2" Top Bolts) Flat Top (3.0 Liter) (CAst # RF3W4P-7006-BB)	1	
16760GA	Case, 5R55S/5R55W (3 1/2" Top Bolts) Flat Top (4.0 Liter) 2 WD Only (Has 7 Rear Bolt Holes For Extension Housing)(Filler Plug In Case On Passenger Side Rear) 2002-Up	1	1L2Z-7005BD
16760GB	Case, 5R55S/5R55W (3 1/2" Top Bolts) Flat Top (4.0 Liter) 2WD/4x4 (Has 7 Rear Bolt Holes For Extension Housing & 7 Rear Bolt Holes For The Transfer Case) (Filler Plug In Case On Passenger Side Rear) 2002-Up	1	1L2Z-7005DD
16760GC	Case, 5R55S/5R55W (3 1/2" Top Bolts) Flat Top (4.0L) 2WD/4x4 (Has 7 Rear Bolt Holes For Extension Housing & 7 Rear Bolt Holes For the Transfer Case) (Has No Fill Plug In The Case)	1	
16760H	Case, 5R55S/5R55W (5 1/8" Top Bolts) Flat Top (4.6L) 2WD/4x4 (Has 7 Rear Bolt Holes For Extension Housing & 7 Rear Bolt Holes For The Transfer Case) No Fill Plug In Case On Passengers Side	1	
16760HA	Case, 5R55S/5R55W (5 1/8" Top Bolts) Flat Top (4.6L) 2WD/4x4 (Has 7 Rear Bolt Holes For Extension Housing & 7 Rear Bolt Holes For The Transfer Case) (Has A Fill Plug In Case On Passengers Side)	1	

PART #	CASE COMPONENTS	QTY.	REFERENCE #
S16761A-2K	Repair Sleeve Kit, 5R55N/5R55S/5R55W Intermediate & Overdrive Servo (Sonnax) (Must Use Tool # T-S-56361J-TL & Fixture # T-SERVO-FIX)	1	
T-S-56361J-TL	Reamer Kit, 5R55N/5R55S/5R55W Servo (Contains: 2 Reamers, 1 Jig, 1 Guide Pin, 1 Handle, 1 Pilot & 2 O-Rings) (Sonnax) (For S16761A-2K)(Must Use T-Servo-Fix Also)	1	
T-SERVO-FIX	Servo Pin Bore Reaming Fixture, 5R55N/5R55S/5R55W (Sonnax)	1	
T-0528	Adapter, 5R55N/5R55S/5R55W Fluid Fill	1	
T-5RW-INT	Repair Bushing, 5R55N/5R55S/5R55W Intermediate Servo (Must Use With Tool # T-SF-99/5RW) (Short Bushing)(Northland)	1	
T-SF-99/5RW	Servo Bore Repair System, 5R55N/5R55S/5R55W Overdrive & Intermediate (Contains: Overdrive Servo Jig, Intermediate Jig, 9/16" Reamer, 5/8" Reamer, 9/16" Guide, 5/8" Guide, 3 Overdrive Bushings, 3 Intermediate Bushings, 473" Guage Pin & Small Driver)	1	
T-5RW-O.DR.	Repair Bushing, 5R55N/5R55S/5R55W Overdrive Servo (Must Use With Tool # T-SF-99/5RW) Long Bushing)(Northland)	1	

PART #	HARD PARTS (Continued)	QTY.	REFERENCE #
16765A	Pan, 5R55N (3 3/8" Deep) (Flat Bottom With Ribs) 1999-Up	1	1W4Z-7A194AA
16765G	Pan, 5R55S/5R55W (4 3/4" Deep At The Deepest Point) 2002-Up	1	4W4Z-7A194-AA
16765A-1	Half Moon Inserts, 5R55N Pan Gasket (.116" Thick) (Prevents Over Tightening Of Pan Gasket) 1999-Up	1	
16765A-6	Plug, 5R55N/5R55S/5R55W Fluid Level Check Plug (Small) 1999-Up	1	W704999-S439
16770A	Extension Housing, 5R55N 2WD 1999-Up	1	XW4Z-7A039AA
16770B	Extension Housing, 5R55N/5R55S/5R55W 4x4 (Transfer Case Adapter)	1	
16770G	Extension Housing, 5R55S/5R55W 2WD (6 1/2" Long) (2 Bolt Mount) 2002-Up	1	1L2Z-7A039CA
26775	Converter Nut, 5R55N/5R55S/5R55W Flange Type (Standard Thread)	1	
16776AK	Bolt Set, 5R55N/5R55S/5R55W Pump To Case (1 5/8" Long x 10mm) (8 Pieces) 1999-Up	1	
56778HK	Bolt Set, 5R55N/5R55S/5R55W Stator To Body (1.675" Long Torx Head) (6 Pieces) 1999-Up	1	
16779AK	Bolt Set, 5R55N/5R55S/5R55W Pan To Case (1" Long x 8mm) (16 Pieces) 1999-Up	1	
16781AK	Bolt Set, 5R55N/5R55S/5R55W Extension Housing To Case 2WD Types (2 1/16" Long x 10mm) (7 Pieces) 1999-Up	1	
16781GK	Bolt Set, 5R55S/5R55W Extension Housing To Case 4x4 Type (1 1/2" Long x 10mm) (7 Pieces) 2002-Up	1	
16782AK	Bolt Set, 5R55N Valve Body (21 Pieces) 1999-Up	1	
16782GK	Bolt Set, 5R55S/5R55W Valve Body (21 Pieces) 2002-Up	1	
56783K	Bolt & Nut Set, 5R55N/5R55S/5R55W Center Support (Allen Bolt) 1999-Up	1	
16784AK	Bolt Set, 5R55N/5R55S/5R55W Reverse Servo (3" Long x 8mm) (4 Pieces) 1999-Up	1	
16790AK	Bolt Set, 5R55N Filter (3 1/2" Long x 8mm) (2 Pieces) 1999-Up	1	
16790GK	Bolt Set, 5R55S/5R55W Filter (2 5/8" Long x 8mm) (2 Pieces) 2002-Up	1	
16792AK	Bolt Set, 5R55N/5R55W Solenoid To Case (8 Pieces) 1999-Up	1	
16798A	Nut, 5R55N/5R55S/5R55W Yoke To Output Shaft (.729"ID) 1999-Up	1	W701357-S309
16799A	Nut, 5R55N/5R55S/5R55W Rooster Comb To Manual Shaft (21mm Fine Thread) 1999-Up	1	
16841A	Yoke, 5R55N/5R55S/5R55W Output Shaft 1999-Up	1	XW4Z-7089-AA
16847A	Pick-Up Wheel, 5R55N/5R55S/5R55W Output Speed Reluctor (24 Teeth) .564" Thick 1999-Up	1	
16853AA	Cushion, 5R55N (Some) Forward Clutch (Bonded) (This Fits The Aluminum Piston Only)	1	

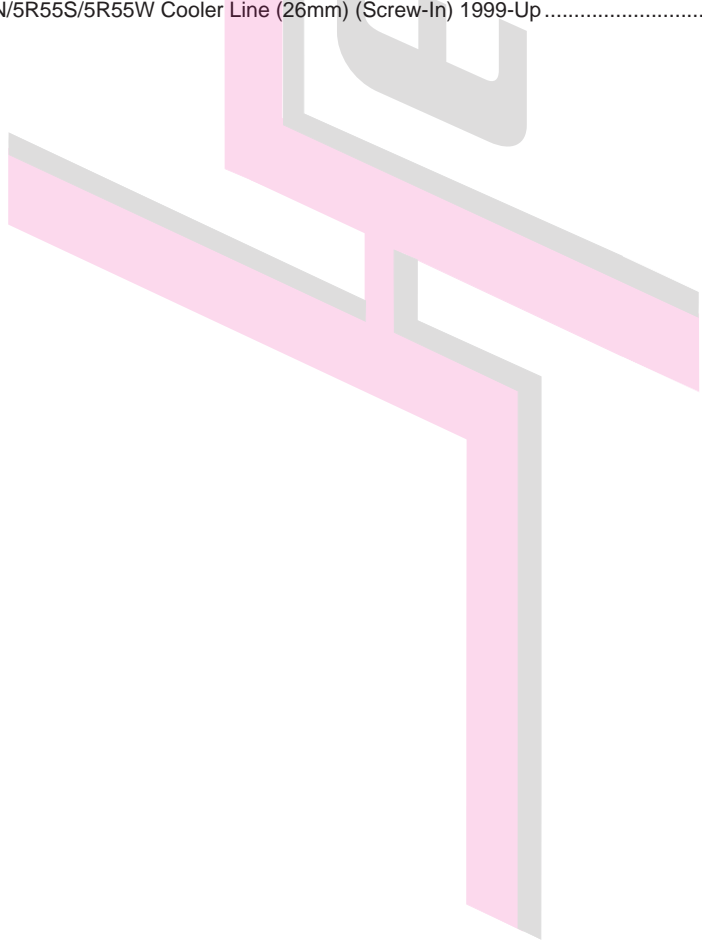


# 5R55N / 5R55S / 5R55W

RWD 5 Speed

PART #	HARD PARTS (Continued)	QTY.	REFERENCE #
56861	Snap Ring, 5R55N/5R55S/5R55W Holds Coast & Direct Clutch In Drum (.054") 1999-Up	1	E860126-S
56861A	Snap Ring, 5R55N/5R55S/5R55W Holds Coast & Direct Clutch In Drum (.068") 1999-Up	1	E860127-S
56861B	Snap Ring, 5R55N/5R55S/5R55W Holds Coast & Direct Clutch In Drum (.082") 1999-Up	1	E860128-S
56861C	Snap Ring, 5R55N/5R55S/5R55W Holds Coast & Direct Clutch In Drum (.096") 1999-Up	1	E860129-S
56862	Snap Ring, 5R55N/5R55S/5R55W Holds Coast & Direct Clutch Spring Retainer In (.049" Thick) 1999-Up	2	E860125-S
16868A	Use 56890	1	
16868G	Snap Ring, 5R55S/5R55W Holds Overdrive Ring Gear To Overdrive Center Shaft 2001-Up	1	
16872A	Snap Ring, 5R55N Intermediate Clutch (.100" Thick) (6 11/16"OD) 1999-Up	1	XW4Z-7D483-CA
16876	Snap Ring, 5R55N/5R55S/5R55W Forward Clutch (.068" Thick) (5.558"OD) 1999-Up	1	
16876A	Snap Ring, 5R55N/5R55S/5R55W Forward Clutch (.078" Thick) (5.558"OD) 1999-Up	1	XW4Z-7D483-AC
16876AA	Snap Ring, 5R55N/5R55S/5R55W Forward Clutch (.096" Thick) (5.558"OD) 1999-Up	1	
16877A	Snap Ring, 5R55N/5R55S-5R55W Forward Clutch (.050" Thick) (1.573"OD) 1999-Up	1	E860109-S
16879A	Use 56862	1	
16882A	Snap Ring, 5R55N/5R55S/5R55W Front Hub To Ring Gear (.050" Thick) (4.443"OD) 1999-Up	1	XW4Z-7G375AA
56883	Snap Ring, 5R55N/5R55S/5R55W Holds Center Support To Case (.140" Thick) 1999-Up	1	W702465-S300
16889A	Snap Ring, 5R55N/5R55S/5R55W Rear Hub To Ring Gear (.069" Thick) (4.863"OD) 1999-Up	1	XW4Z-7C122AA
56890	Snap Ring, 5R55N Holds Overdrive Planet Ring Gear to Overdrive Center Shaft 1999-Up (.060" Thick)	1	W702037-S300
16890A	Snap Ring, 5R55N/5R55S/5R55W Rear Planet To Reverse Drum(0.42"Thick) (5.195"OD) 1999-Up	1	W702775-S300
56894A	Snap Ring, 5R55N/5R55S/5R55W Holds Rear Hub To Output Shaft (.077" Thick) 1999-Up	1	E860527-S
16896A	Snap Ring, 5R55N/5R55S/5R55W Overdrive Servo (.097" Thick) (3.250"OD) 1999-Up	1	2L2Z-7H074-AA
16896AC	Snap Ring, 5R55N/5R55S/5R55W Intermediate Servo (.096" Thick) (3.866"OD) 1999-Up	1	W702777-S300
16901A	Spring, 5R55N/5R55S/5R55W Overdrive & Intermediate Servos (Yellow) (1.615" Long) (.730"OD) 1999-Up	2	XW4Z-7D028-DA
16902A	Piston, 5R55N/5R55S/5R55W Overdrive Servo (2.915"OD Large Lip)(Has No Small Lip) 1999-Up	1	XW4Z-7D021LA
16902G	Piston, 5R55N/5R55S/5R55W Overdrive Servo (2.915"OD Large Lip)(2.575"OD Small Lip) 2002-Up	1	XW4Z-7D021KA
16904A	Cover, 5R55N Overdrive Servo (Aluminum)(2 O-Ring Type) (2.520"ID)	1	XW4Z-7D027DB
16904AA	Cover, 5R55N Overdrive Servo (Steel) (2 O-Ring Type) (2.520"OD)	1	
16904G	Cover, 5R55S/5R55W Overdrive Servo (Aluminum)(1 O-Ring Type) (2.560"ID)	1	1L2Z-7D027HA
16904GA	Cover, 5R55S/5R55W Overdrive Servo (Steel)(1 O-Ring Type) (2.560"ID)	1	
16906A	Use 16901A	1	
16907AA	Piston, 5R55N Intermediate Servo (Bonded) (2.879"OD Large Lip)(2.757"OD Small Lip)	1	XW4Z-7D021-HA
16907AB	Piston, 5R55N Intermediate Servo (Bonded) (2.879"OD Large Lip)(2.561"OD Small Lip)	1	XW4Z-7D021-JA
16907AC	Piston, 5R55N/5R55S/5R55W Intermediate Servo (Bonded)(3.505"OD Large Lip) (2.520"OD Small Lip)	1	
16907G	Piston, 5R55S/5R55W Intermediate Servo (Bonded) (3.505"OD) (2.820"OD Small Lip)	1	1L2Z-7D021-CA
16909AA	Cover, 5R55N Intermediate Servo (2 O-Rings)(Aluminum)(2.757"ID For Small Lip)(2.879"ID For Large Lip)	1	
16909AB	Cover, 5R55N Intermediate Servo (2 O-Rings)(Aluminum)(2.561"ID For Small Lip)(2.879"ID For Large Lip)	1	
16909G	Cover, 5R55S/5R55W Intermediate Servo (1 O-Ring)(Steel)(2.820"ID)	1	1L2Z-7D027DA
16909GA	Cover, 5R55S/5R55W Intermediate Servo (1 O-Ring)(Aluminum)(2.820"ID)	1	
16910AA	Servo Assembly, 5R55N Reverse Servo (Cast #XW4P-7B193-AC On The Outside Of #914) 1999-Up	1	
16910G	Servo Assembly, 5R55S/5R55W Reverse Servo (Cast # 1L2P-7D036-AB On The Inside Bore Of #914)(ATRA Says Do Not Use This, Use 16910GA)	1	
16910GA	Servo Assembly, 5R55S/5R55W Reverse Servo (D-Ring Type) 2002-Up (Cast # 2L2P-7B193-AA Or 4L2Z-7B193-AA On The Outside Of #914)	1	
16910GB	Servo Assembly, 5R55S/5R55W Reverse Servo (Cast # 2L2P-7D193-AA On The Inside Bore Of The #914)(D-Ring Type)	1	
16911A	Spring, 5R55N Reverse Servo (6 5/8" Long) 1999-Up	1	XW4Z-7D466AA
16911G	Spring, 5R55S/5R55W Reverse Servo (7 1/2" Long) 2002-Up	1	1L2Z-7D446-AA
16912A	Piston, 5R55N Reverse Servo (Bonded) (1.175"ID Cover) 1999-Up	1	XW4Z-7D189AA
16912G	Piston, 5R55S/5R55W Reverse Servo (Bonded) (1.655"ID Cover) 2002-03 (Can Use 16912GA)	1	1L2Z-7D189AA
16912GA	Piston, 5R55S/5R55W Reverse Servo (Bonded) (1.655"ID) 2004-Up (Retro Fits 2002-Up)	1	
16913A	Cover, 5R55N/5R55S/5R55W Reverse Servo (Aluminum) (7.820"OD) (Cast #XW4P-7D372AA) 1999-Up	1	XW4Z-7D372-AA
16914A	Housing, 5R55N Reverse Servo (Cast #XW4P-7D036-AB) 1999-Up	1	XW4Z-7D036AC
16914G	Housing, 5R55S/5R55W Reverse Servo (D-Ring Type) 2002-Up (Cast #2L2P-7B193-AA Or 4L2Z-7B193-AA On The Outside)	1	1L2Z-7D036AB

16916A-2	Strut, 5R55N/5R55S/5R55W Intermediate/Overdrive Servos (1.600" Long Piston Side) 1999-Up	2	XW4Z-7D029AB
16916A-3	Strut, 5R55N/5R55S/5R55W Intermediate/Overdrive Servos (1.570" Long Adjustment Side) 1999-Up	2	XW4Z-7D029BB
16917-2	Strut, 5R55N/5R55S/5R55W Reverse Lever Assembly (1.735" Long) (.335"ID Hole) 1999-Up	1	
16917-4	Pin, 5R55N/5R55S/5R55W Reverse Lever (5.395" Long) (.334"OD) 1999-Up	1	
16919A	Bolt, 5R55N/5R55S/5R55W Adjustment (Both Bands) (2.945" Long) 1999-Up	2	XW4Z-7C492AA
16961A	Piston, 5R55N/5R55S/5R55W Coast & Direct Clutch (Cast #90DT) 1999-Up	2	FOTZ-7A262B
16962A	Retainer, 5R55N Intermediate Piston (Aluminum) (6 1/4"OD) (XW4P-7N061-DA) 1999-Up	1	
16963A	Piston, 5R55N Intermediate Clutch (Bonded) (5 15/16"OD) 1999-Up	1	
16964A	Piston, 5R55N/5R55S/5R55W Forward Clutch (Bonded) (5.090"OD) With Check Ball 1999-7/05 (This Has The Cushion # 853 Made Onto The Piston)	1	1L2Z-7A262-AA
16964AA	Piston, 5R55N (Some) Forward Clutch (Aluminum) 1999-02	1	
56965D	Piston, 5R55N/5R55S/5R55W Direct & Coast Clutch Drum (Cast # 90DT)(4 1/2"OD)	1	
56971K	Return Spring Set, 5R55N/5R55S/5R55W Coast & Direct Clutch (20 Pieces) 1999-Up	1	XW4Z-7A480BA
16972A	Return Spring, 5R55N Intermediate (19 Fingers, Split Type) (.053" Thick) 1999-Up	1	XW4Z-7B070-CA
16974A	Retainer W/Springs, 5R55N/5R55S/5R55W Forward Clutch (3.050"OD) (10 Springs) 1999-Up	1	1L2Z-7G299-AA
56981	Retainer, 5R55N/5R55S/5R55W Coast & Direct Piston Spring (3.540"OD) 1999-Up	2	E5TZ-7A527A
16985A	Use 56981	1	
16991A	Linkage Assembly, 5R55N/5R55S/5R55W Internal (Cast # On Rooster Comb Is 1L2P-7C494-BA or XW4P-7C494-AC) 1999-Up (Contains # 799, 994, 991-3 & 991-2)(Without Manual Shaft)	1	
16991A-2	Detent Spring, 5R55N/5R55S/5R55W (4" Long) 1999-Up	1	
16991A-3	Rooster Comb, 5R55N/5R55S/5R55W (1L2P-7C494-BA or XW4P-7C494-AC) 1999-Up	1	
16991A-4	Shaft, 5R55S/5R55W Manual (Both Ends Threaded) (3.880" Long) 2002-Up	1	4W4Z-7A256-AA
16991AA-4	Shaft, 5R55S/5R55W Manual (Only One End Threaded)(3.150" Long)	1	
16992G	Lever, 5R55S/5R55W External Shift (Cast #L2P-7A257-AB) 2002-Up	1	XW4Z-7A256-AA
16994A	Park Rod, 5R55N/5R55S/5R55W (9 3/4" Long) 1999-Up	1	
16995A	Park Pawl Assembly, 5R55N/5R55S/5R55W (Pin Is 1.326" Long)(3 Pieces) 1999-Up	1	
16995AA	Park Pawl Assembly, 5R55N/5R55S/5R55W (Pin Is 2.325" Long)(3 Pieces) 1999-Up	1	
16996A	Fitting, 5R55N/5R55S/5R55W Cooler Line (26mm) (Screw-In) 1999-Up	2	



FORD